

C2-107R LED Work Light

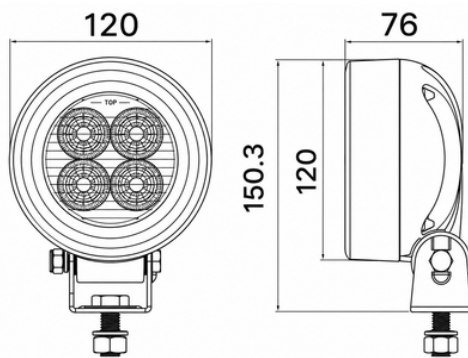
9 - 80W | Wide Beam | 3040Lm | 17W | IP66



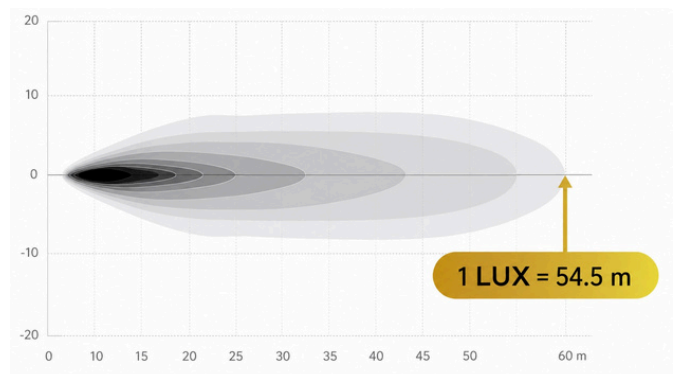
The C2-107R is a wide voltage range LED work light designed for versatility and durability. It features an aluminium housing and a polycarbonate lens, with four LEDs providing bright and uniform illumination with a raw lumen output of 3040 lm. Operating within a voltage range of 9-80VDC, it consumes 17W of power, ensuring efficient energy usage. The light is designed to withstand harsh conditions, with an IP66 rating for protection against dust and water, and it offers over-voltage, reverse polarity, and overheating protection. Approved under EN 50498, it meets electromagnetic compatibility standards. The LEDs emit a cool white light with an LED colour temperature of 5700K, enhancing visibility in low-light conditions. This work light is ideal for use in specialist, warehouse, and construction vehicles.



Dimensions (mm)



Beam Pattern 2.5m at 10°



Specifications

Housing Shape	Round	Beam Pattern	Flood
Raw Lumen Output	3040Lm	Effective Lumen Output	1000Lm
Colour Temperature	5700K	Voltage	9 - 80VDC
Nominal Current at		Power Consumption	17W
IP Rating	IP66	Shock Resistance	7G
Operating Temp Range	-30°C...+65°C	Housing Material	Aluminium
Lens Material	Polycarbonate	Dimensions	120 x 76 x 150.3 mm
Mounting Style	Single Bolt	Termination	300 mm wire
EMC	EN50498	Approvals	-