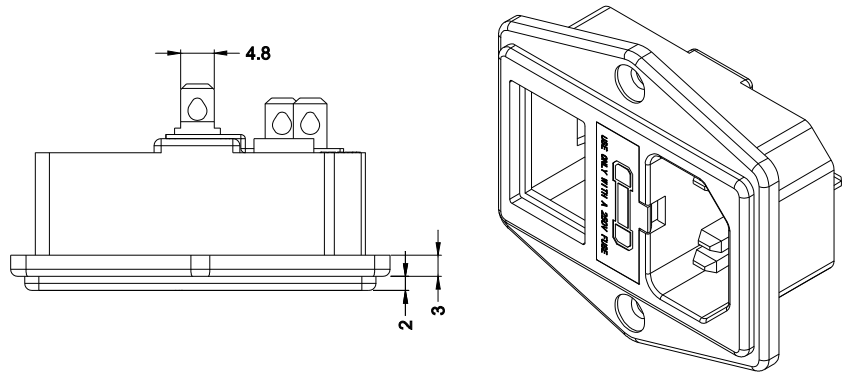
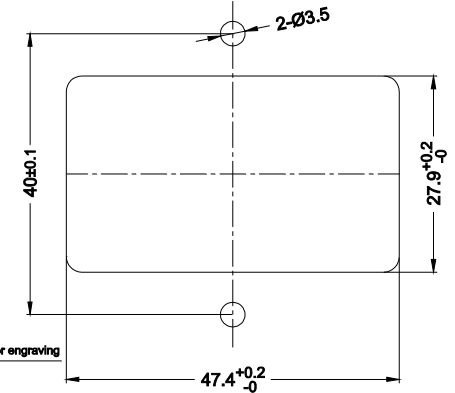
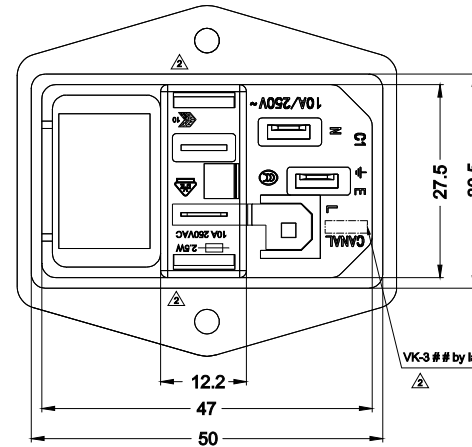
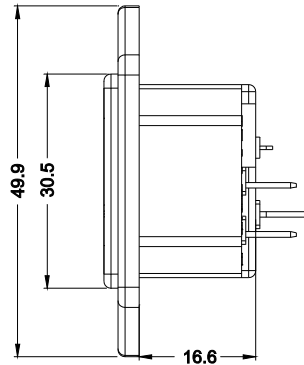
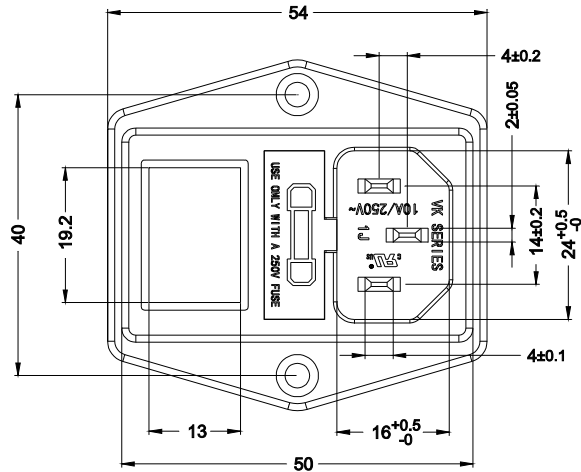
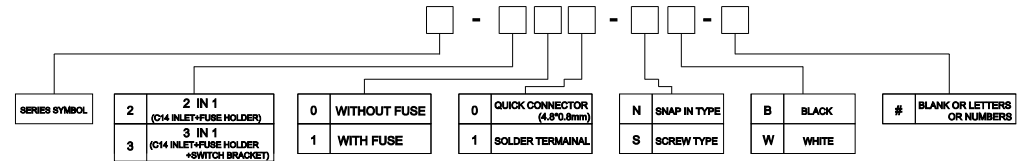


嘉尼企業股份有限公司 CANAL ELECTRONIC CO.,LTD.



SPECIFICATION MODEL: VK SERIES			
CERTIFICATES	C14 Inlet	FUSE HOLDER	SWITCH
STANDARD	UL / IEC / EN 60320-1 GB 17465.1 & 17465.6	IEC / EN 60127-1 & -6 GB 17465.1 & 17465.6	BASED ON THE RATING OF THE SWITCH AFTER INSTALLATION
RATING	10A 250VAC	10A 250VAC / 2.5W	
INSULATION RESISTANCE	100MΩ , DC 500V		
DIELECTRIC STRENGTH	2000VAC FOR 1 MINUTE BETWEEN EACH PIN		

PART NO: VK - 3 # 1 - S # - #



PANEL CUT-OUT

MATERIAL:
BODY / FUSE HOLDER: PA66 UL94 V-0
TERMINAL: NICKEL PLATED BRASS



NOTE: TOLERANCES UNLESS OTHERWISE SPECIFIED : ± 0.3 (mm)

REVISION	DESCRIPTION	REVISED BY	TOLERANCES		ANGLE 1/2°		UNIT	mm	PART NAME	VK SPEC DRAWING	DWG NO
			DRAWN BY	DESIGNED BY	SCALE	DATE					
△			劉永豐	劉永豐	1:1						
△2026.05.08	增加刻字:保險絲規格,VDE or EN6C10,雷牌型號做送	張俊雄	劉永豐	劉永豐	1:1						
△2026.02.04	圖面整理,更換圖號,重新出圖	張俊雄									
△2018.03.21	新增規格,首次出圖	劉永豐	Jimmy		2018.03.21						