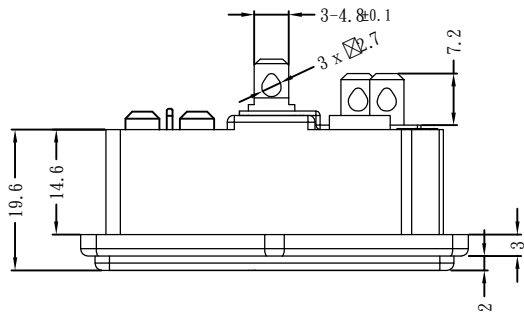
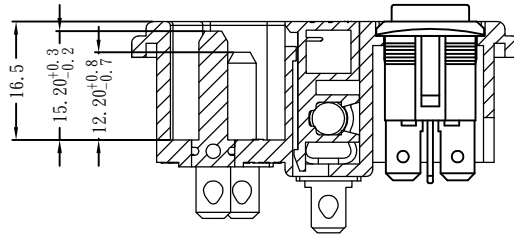


# 嘉尼企業股份有限公司 CANAL ELECTRONIC CO.,LTD.



FUSE:  $\varnothing 5 \times 20\text{mm}$

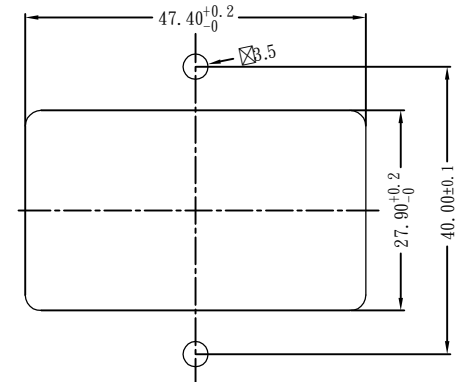
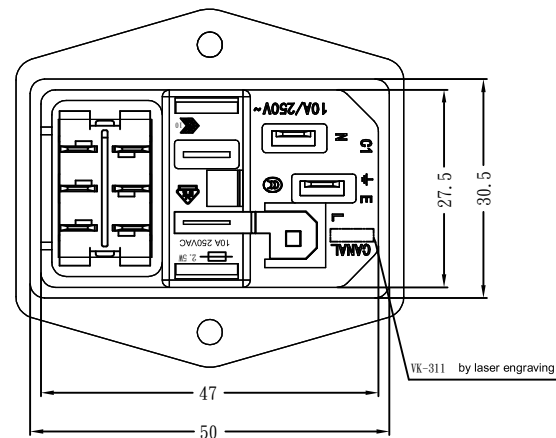
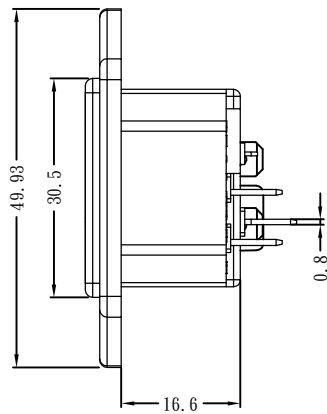
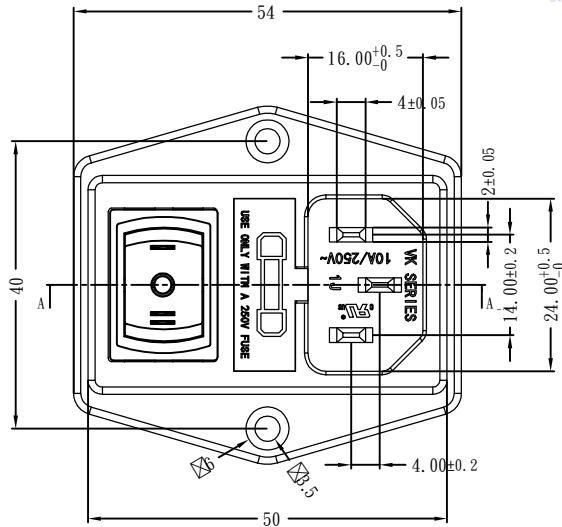


A-A SECTION



| SPECIFICATION MODEL: VK SERIES |   |                                   |   |                                     |
|--------------------------------|---|-----------------------------------|---|-------------------------------------|
| CERTIFICATES                   | C14 Inlet                                     |                                   | FUSE HOLDER                                   | SWITCH                              |
|                                |   |                                   |   |                                     |
| STANDARD                       | UL / IEC / EN 60320-1<br>GB 17465.1 & 17465.6 |                                   | IEC / EN 60127-1 & -6<br>GB 17465.1 & 17465.6 | UL / IEC / EN 61058-1<br>GB 15092.1 |
| RATING                         | 10A 250VAC                                    |                                   | 10A 250VAC / 2.5W                             | 10A 125/250V~<br>10(4)A 250V ~ T85  |
| INSULATION RESISTANCE          | 100M $\Omega$ , DC 500V                       |                                   | 100M $\Omega$ , DC 500V                       |                                     |
| DIELECTRIC STRENGTH            | 2000VAC / 1 MINUTE                            |                                   | 1500VAC / 1 MINUTE                            |                                     |
| PART NO                        | VK-301-SW-105                                 | MR3-230-C6-WWNC (NO ILLUMINATION) |   |                                     |

NOTE: THIS PART NUMBER DOES NOT INCLUDE A FUSE FOR SHIPPING.



PANEL CUT-OUT

NOTE: TOLERANCES UNLESS OTHERWISE SPECIFIED:  $\pm .012/0.3$  (in/mm)

| REVISION | DESCRIPTION     | REVISED BY | TOLERANCES   | ANGLE $\frac{1}{2}$ | UNIT  | mm         | PART NAME | VK SPEC DRAWING | DWG NO  |
|----------|-----------------|------------|--------------|---------------------|-------|------------|-----------|-----------------|---------|
| △        |                 |            | DRAWN BY 楊偉韶 | DESIGNED BY 蔡劍      | SCALE | 1:1        | PART NAME | VK SPEC DRAWING | S10846A |
| △        |                 |            | CHECKED BY   | APPROVED BY         | DATE  | 2026.05.18 | PART NO   | VK-301-SW-105   |         |
| △        | 2026.05.18 首次出圖 | 楊偉韶        |              |                     |       |            |           |                 |         |