

# LP12 Series

## IP68 Compact Quick Connect Plug & Sockets

The compact LP12 circular connectors (part of the LP series) feature a high-precision, key-way pluggable design with integrated self-locking, push-lock and quick release mechanism. Supplied in a variety of PBT plastic and Zinc alloy metal housings, they are IP68-rated and UV resistant. Supporting power or signal transmission, the LP12 series is ideal for demanding environments and well suited for use in communications, renewable energy, medical, robotics, automation, aviation, industrial appliances, LED displays and many more applications. The wider product family includes a 16mm range (LP16) which also has RJ45 and USB-A / -C I/O options.



- 2 to 8 pin for power and signal applications
- Supplied as mating pairs for value and convenience
- IP68 1m / 2 hr when mated (IP65 with cap)
- PBT Plastic / Zinc Alloy & PBT Plastic / Zinc Alloy
- PBT material is UV resistant and flame retardant
- Screw and solder options up to 5A / 125V
- Cable, panel and flange mount types
- Dust cap included with panel mount types
- Cable range 5 - 7 mm
- Quick connect, push fit, press to release - anti-vibration
- Maximum housing diameter 23.2 mm
- Gold plated contacts
- UL, ENEC, CE approvals

### Specifications & Materials:

Unit of Supply	Male & Female pair (Panel / Flange & silicon dust cap)
Number of Pins	2 - 8
Connection Type	Screw (2 / 3 pin) or Solder
IP Rating	IP68 to 1 m / 2 hr (IP65 panel with dust cap)
Voltage	125V (2 to 6 pin) / 100V (7 to 8 pin)
Current Rating	5A (2 to 6 pin) / 3A (7 to 8 pin)
Wire Size	0.5 mm <sup>2</sup> (2 to 6 pin) / 0.35 mm <sup>2</sup> (7 to 8 pin)
Mating Cycles	>1900
Material	PBT plastic (flame & UV retardant) / Zinc alloy
Panel Cutout	12 mm
Cable Diameter	5 - 7 mm
Temperature Rating	-40°C to +85°C
RoHS Status	Compliant
Approvals	UL, ENEC, CE

# LP12 Series

## IP68 Compact Quick Connect Plug & Sockets

### Material Types & Configurations

Cable to Cable



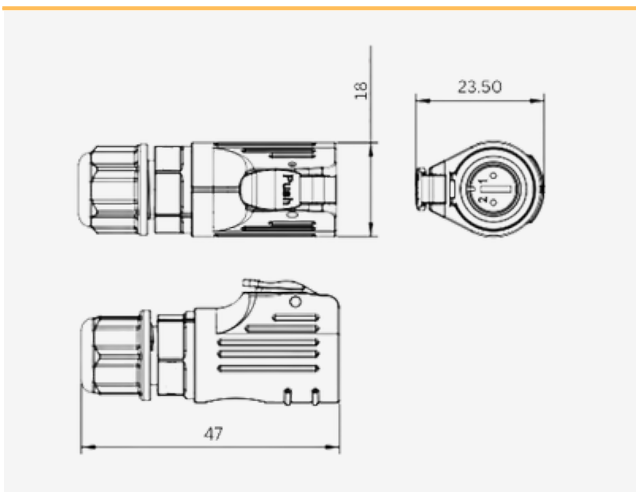
Cable to Flange



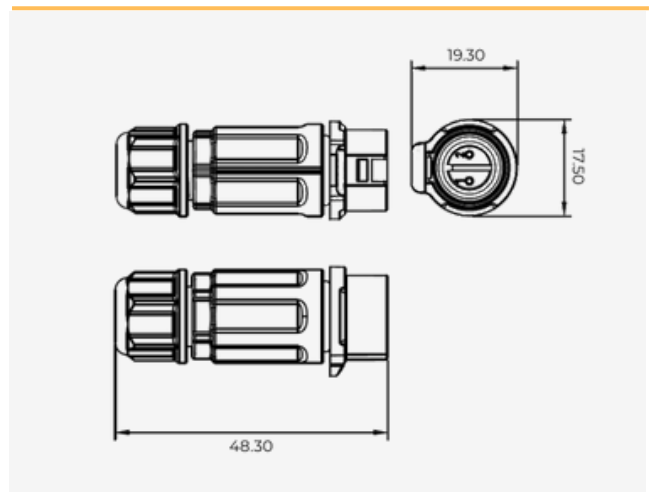
Cable to Panel



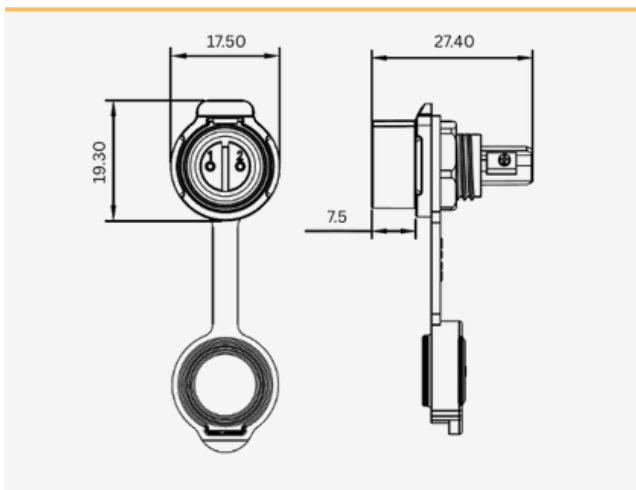
Cable Male



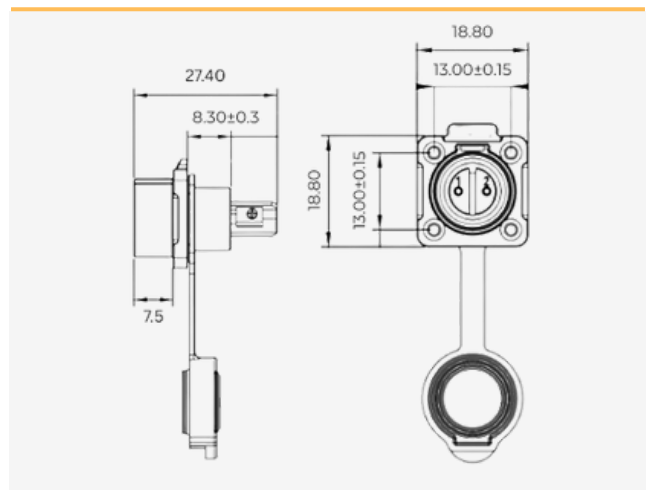
Cable Female



Panel Mount



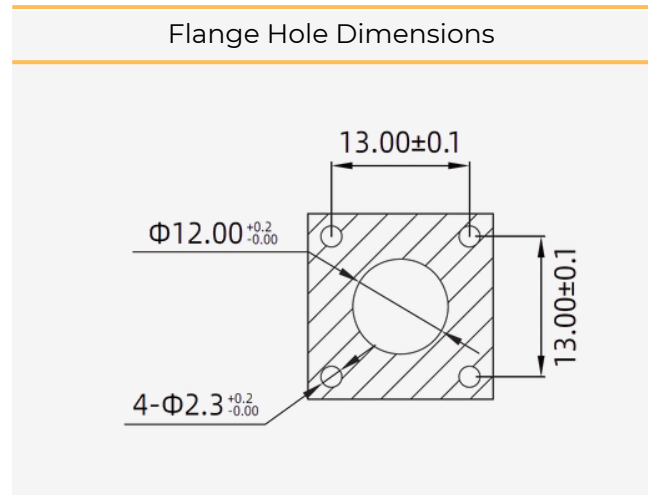
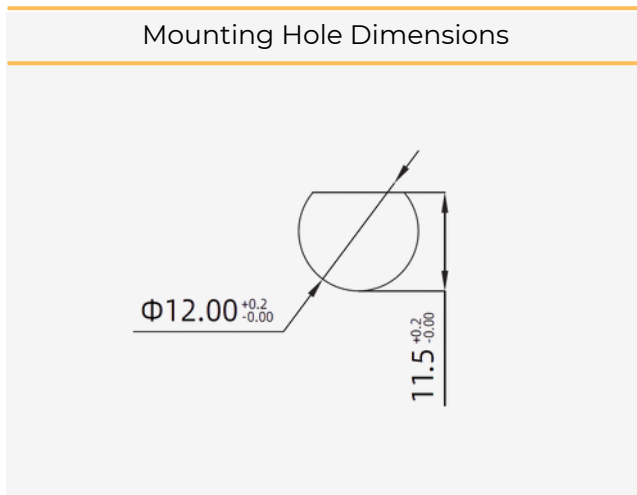
Panel Mount Flange



# LP12 Series

## IP68 Compact Quick Connect Plug & Sockets

### Mounting Specifications



### Part Number Configurator

<b>Series:</b>	LP12	<b>Example:</b>	LP12	02P	F	SC	ZZ	01
<b>Number of Pins:</b>	02P - 2 pins 03P - 3 pins 04P - 4 pins	05P - 5 pins 06P - 6 pins 07P - 7 pins	08P - 8 pins					
<b>Mounting Type:</b>	C - Cable F - Flange P - Panel							
<b>Connection Type:</b>	SC - Screw SO - Solder							
<b>Material:</b>	PL - PBT ZP - PBT & Zinc Alloy ZZ - Zinc Alloy							
<b>Polarity:</b>	0 - Female panel & male cable 01 - Female cable & male panel							

LP12-02PF-SC-ZZ-01 - LP12 2 pin flange mount screw zinc alloy female cable male panel