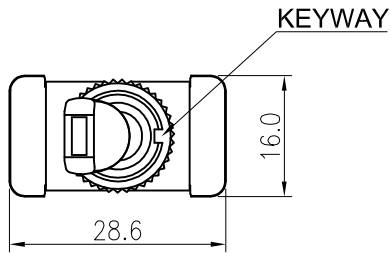
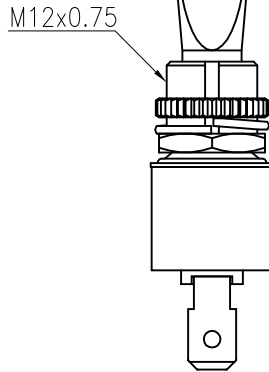
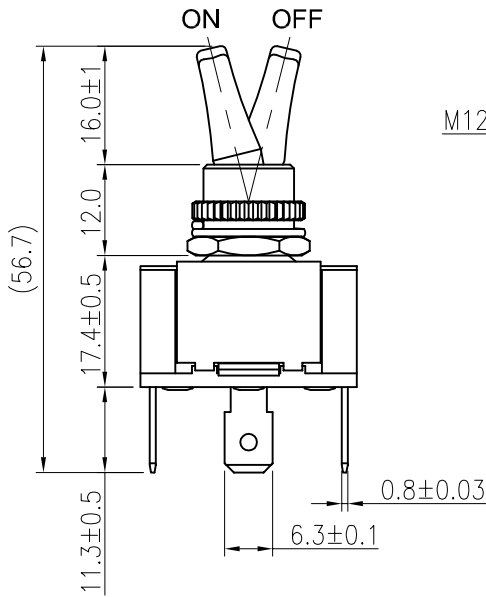


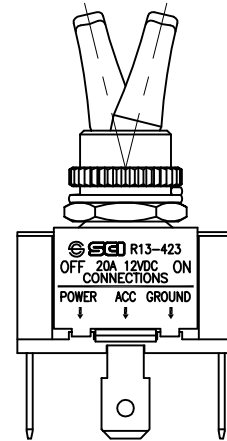
Rating	20A 12V DC	Mounting Hole 	Circuit Diagram Circuit 1
Contact Resistance	50m ohm Max.		
Insulation Resistance	DC 500V 100M ohm Min.		
Dielectric Strength	AC 1500V 1 minute		
Operation Temperature	-20°C~85°C		
Switch Function	3P SPST ON-OFF (LED)		
LED Color	Red/Green	Circuit 2 	



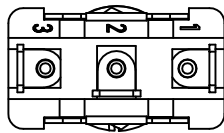
1 HEX NUT ASSY
1 SPRING WASHER ASSY
1 KNURL NUT ASSY



OFF(Red) ON(Green)



原稿
2025/03/04
研發部



Tolerances ± 0.3 Unless Otherwise Specified

								△	
								△	
Date	Name	Description						No.	
Drawn	Checked	Approved	SCI BOM No.	1813880	Model Name	TOGGLE SWITCH			
Ruby	徐列強	李理	Customer No.		Model No.	R13-423L1-01-RG-HWR	Rev.		
2/27/25	2025/02/28	2025/02/28	Unit	mm	Shin Chin Industrial Co., Ltd.				0