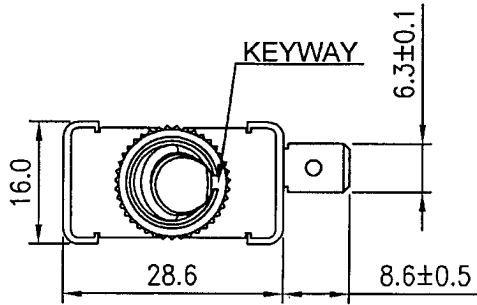
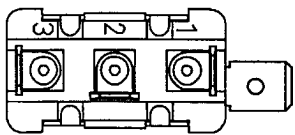
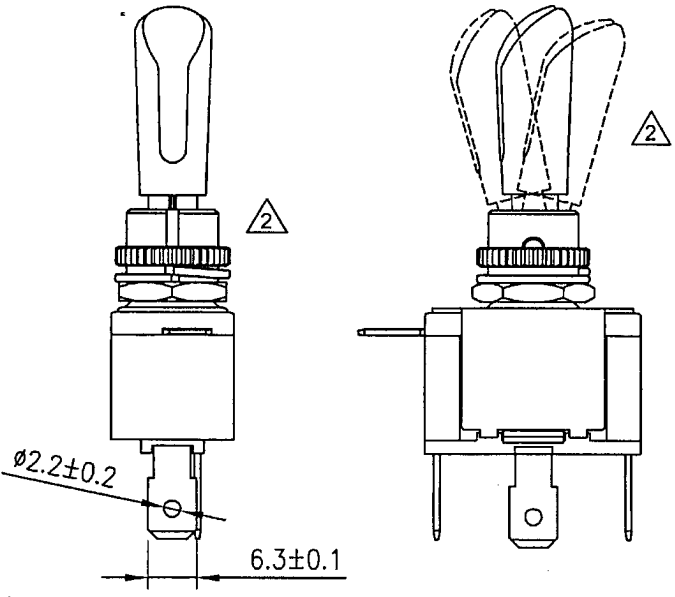
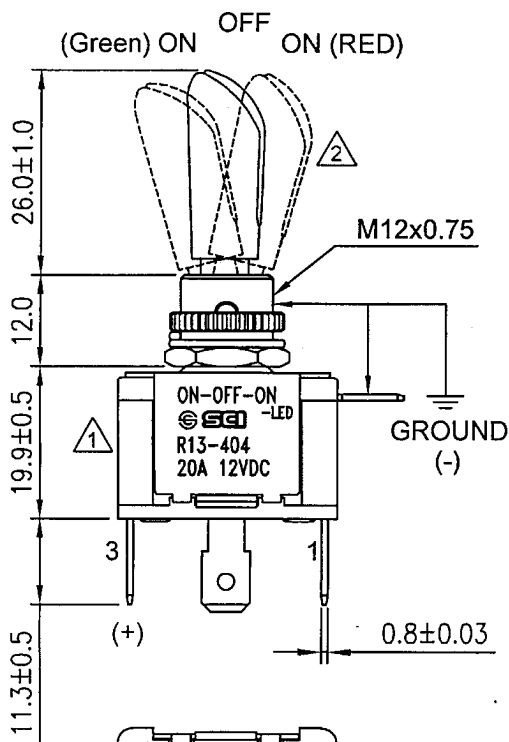


Rating	20A 12V DC		
Contact Resistance	50m ohm Max.		
Insulation Resistance	DC 500V 100M ohm Min.		
Dielectric Strength	AC 1500V 1 minute		
Operation Temperature	-20°C~85°C		
Switch Function	4P SPDT ON-OFF-ON (LED)		



- 1 HEX NUT ASSY
- 1 SPRING WASHER ASSY
- 1 KNURL NUT ASSY



Tolerances ± 0.3 Unless Otherwise Specified

09/26/'14	黃洋	依實物修正外觀圖,增加中間視圖槽口			△
09/09/'13	柳新強	依公司規定追加SCI Logo			△
Date	Name	Description			NO
Drawn	Checked	Approved	SCI BOM NO	1812644	Model Name TOGGLE SWITCH
黃洋			Customer No.		Model No. R13-404DL2-01-HWR
09/27/'14	9/27-14	9/27-14	Unit	mm	Rev. 2

Shin Chin Industrial Co., Ltd.