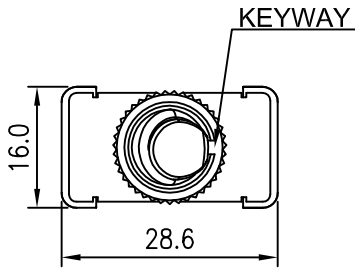
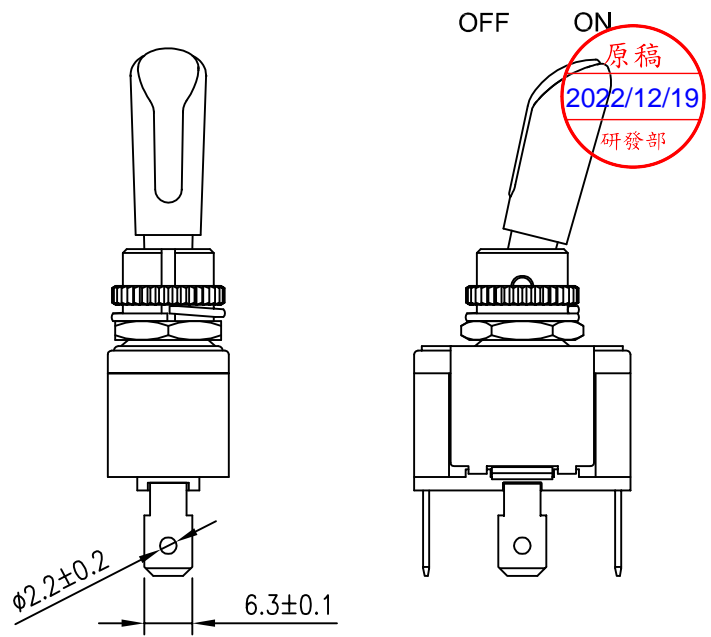
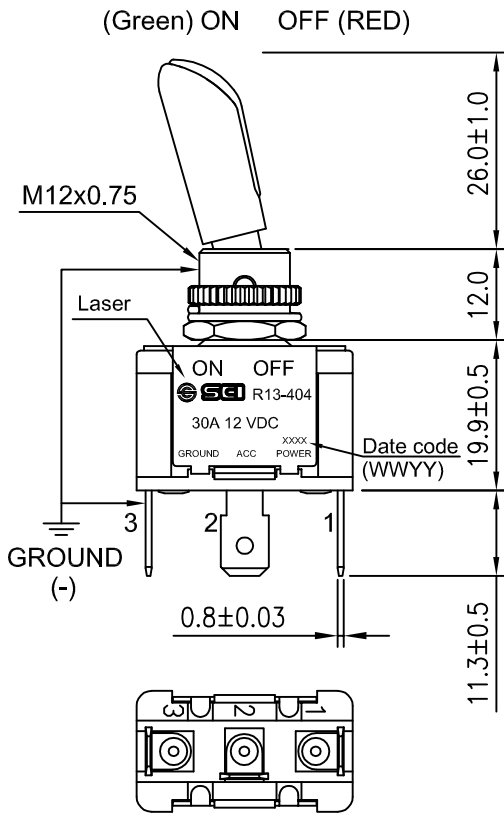


Rating	30A 12V DC		
Contact Resistance	50m ohm Max.		
Insulation Resistance	DC 500V 100M ohm Min.		
Dielectric Strength	AC 1500V 1 minute		
Operation Temperature	-20°C~85°C		
Switch Function	3P SPST ON-OFF (LED dependent)		



1 HEX NUT ASSY
1 SPRING WASHER ASSY
1 KNURL NUT ASSY



KEYWAY on "OFF"
Tolerances ± 0.3 Unless Otherwise Specified

								△	
								△	
Date		Name		Description				NO	
Drawn	Checked	Approved	SCI BOM NO.	1813786	Model Name	TOGGLE SWITCH			
曾敏捷	徐列强	李理	Customer No.		Model No.	R13-404AL2-01-HWR	Rev.		
12/12/'22	2022/12/19	2022/12/19	Unit	mm	Shin Chin Industrial Co., Ltd.				0