

A13 Series

Automotive USB Power Chargers

This range of panel-mount USB charging solutions is designed for reliable power delivery in automotive, marine, and industrial environments. Supporting modern USB-A and USB-C Power Delivery (PD) standards, these products provide fast, efficient charging while incorporating environmental protection and comprehensive electrical safety features. Models are available with single or dual outputs and splash-proof protective covers for optimal use in harsh operating conditions. Power levels range from 5 V USB charging up to 45 W USB-C Power Delivery, supporting smartphones, tablets, accessories, and higher-power USB-C devices.



- ▶ USB Power Delivery (PD) support up to 45 W on USB-C ports
- ▶ Dual-port and single-port options available
- ▶ Splash-proof protective covers for resistance to moisture and dust
- ▶ Designed for 12 V / 24 V DC systems
- ▶ Fast-charging capability for modern mobile devices
- ▶ Over-current and over-voltage protection
- ▶ Thermal protection for safe operation
- ▶ Durable, flame-retardant housing
- ▶ Panel-mount design for dashboards, consoles, and enclosures
- ▶ Blue LED indicators
- ▶ Perfect for passenger and commercial vehicles, marine vessels and dashboards, RVs, camper vans, off-road and utility vehicles, industrial control panels, mobile workstations and equipment enclosures

Specifications & Materials:

Connection Type	USB
Port Options	USB-A & USB-C
	USB-C
	DUAL USB-C
Voltage Rating	12/24VDC Input
Internal Connection	6.35mm Faston tabs
Illumination	Blue LED
Material	UL Rated plastic
Temperature Rating	-40°C up to +65°C
ROHS Status	Compliant

A13 Series

Automotive USB Power Chargers

A13-266CC90-CL-B3



A13-266C45-CL-B3



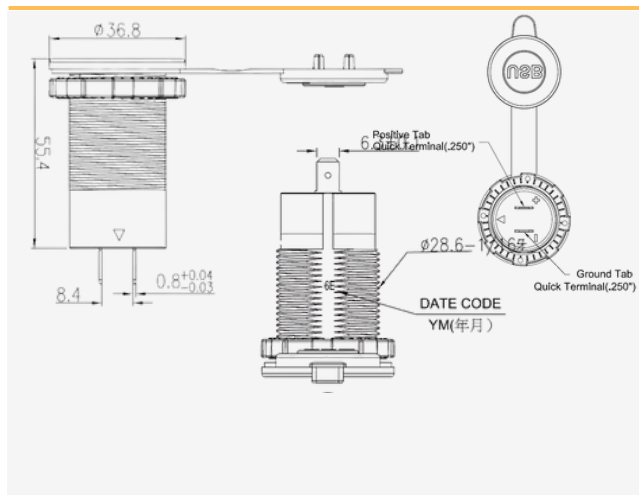
A13-266AC27-CL-B3



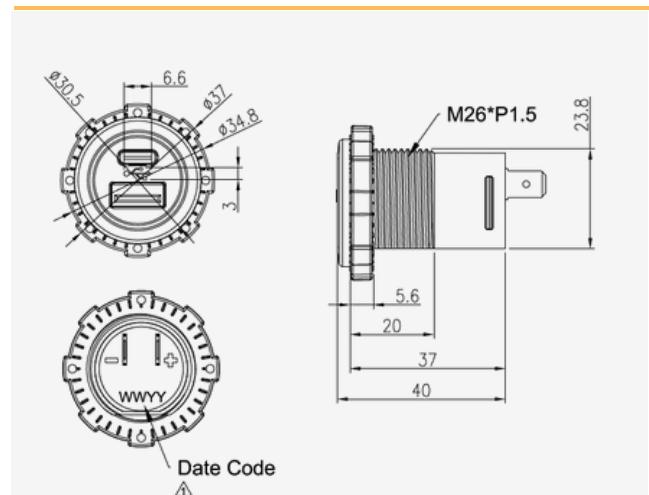
A13-253B-B3A



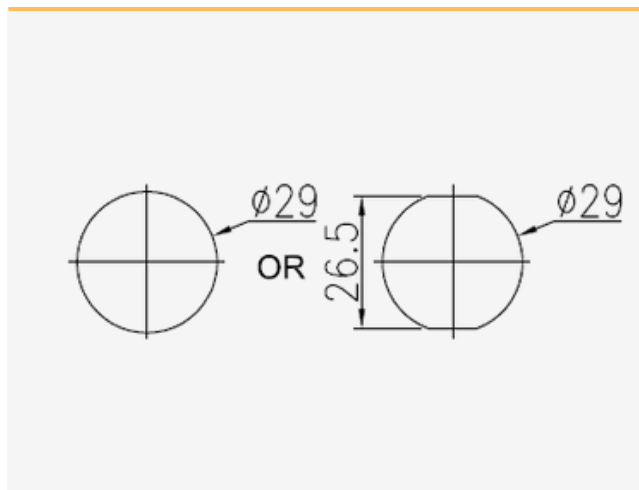
A13-266



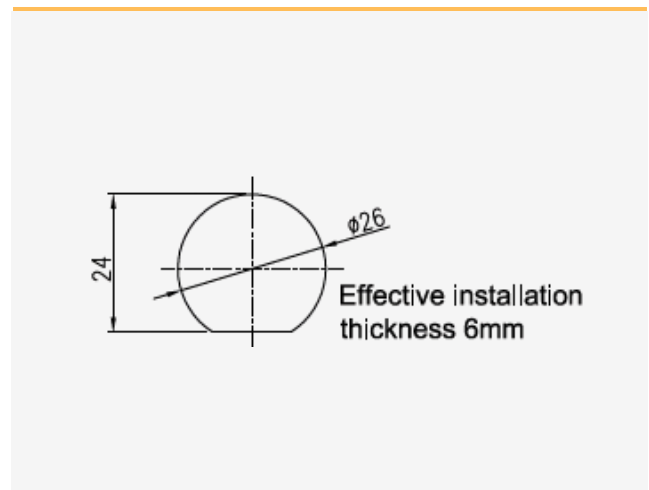
A13-253



A13-266 Mounting



A13-253 Mounting



A13 Series

Automotive USB Power Chargers

Available Product Types

Part Number	Port 1	Port 2	Temperature Rating
A13-253B-B3A	USB-A 2.1A	USB-C 2.1A	-30°C to +45°C
A13-266C45-CL-B3	USB-C 45W PD	N/A	-30°C to +65°C
A13-266CC54-CL-B3	USB-C 27W PD	USB-C 27W PD	-30°C to +65°C
A13-266CC90-CL-B3	USB-C 45W PD	USB-C 45W PD	-30°C to +65°C
A13-266AC27-CL-B3	USB-A 2.5A	USB-C 27W PD	-30°C to +65°C

Also available

USB Lighter Socket Charger



USB Couplers

