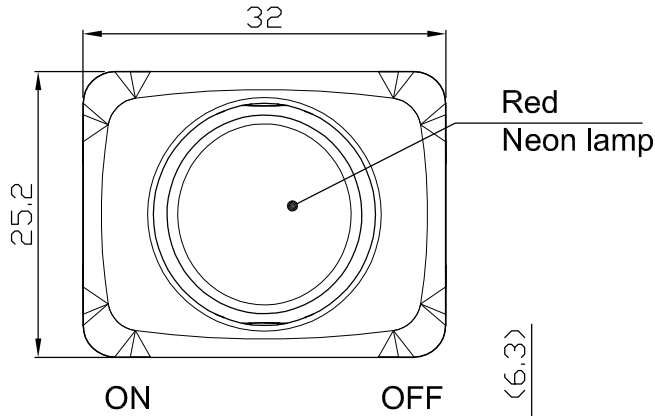


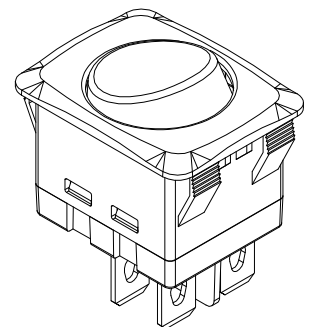
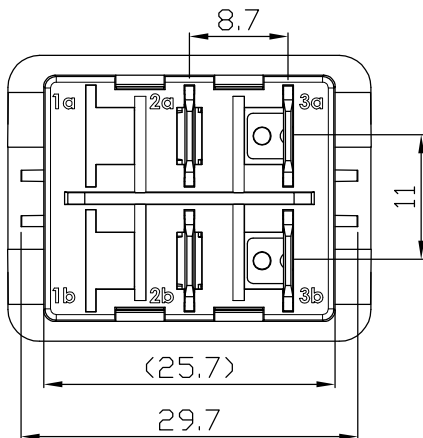
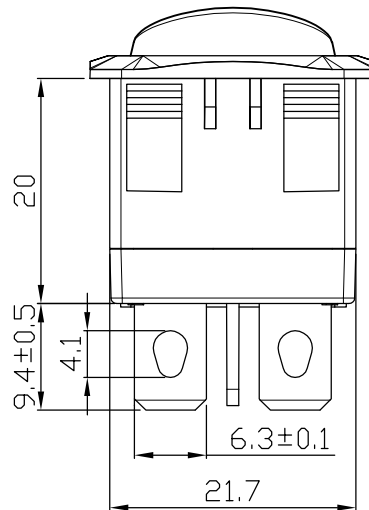
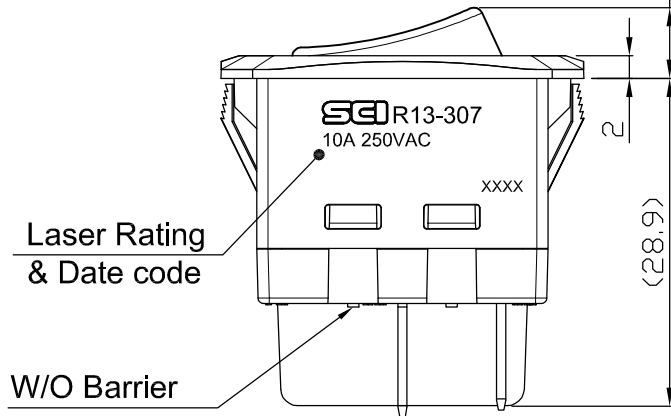
Rating	10A 250V AC	Mount Hole		Circuit Structure
Contact Resistance	50m ohm Max.			
Insulation Resistance	DC 500V 100M ohm Min.			
Dielectric Strength	AC 1500V 1 minute			
Operation Temperature	-25°C~+85°C	Thickness	X	Y
Switch Function	4P DPST ON-OFF	0.75...1.25	29.8+0.1	22.2±0.1
		1.25...2	30.0+0.1	
		2...3	30.2+0.1	

R= 1/4W 150K ohm



***Materials:**

- 1.Frame: Nylon 66+15%GF, black (UL94V-0).
- 2.Actuator: PC, red color (UL94V-2).
- 3.Terminal: Silver plated copper.



TOLERANCE: ±0.3mm UNLESS OTHERWISE SPECIFIED.

								△ NO	
Date	Name	Descriptions							
Drawn	Checked	Approved	SCI BOM No.	1827908	Model Name	Rocker Switch			
Jam Chan			Customer No.		Model No.	R13-307FN-01A-BR-5	REV.		
2/26/'25			Unit	mm	SHIN CHIN INDUSTRIAL CO., LTD.			X0	