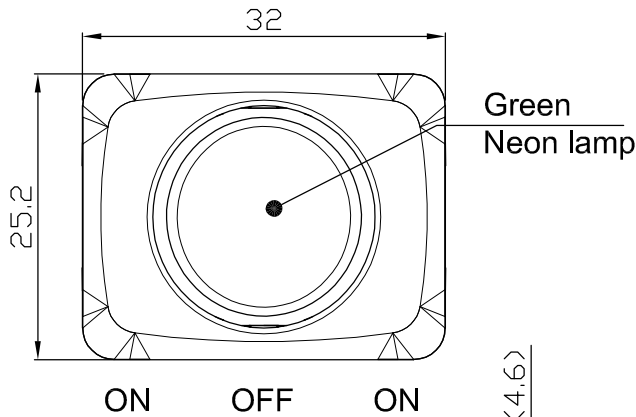
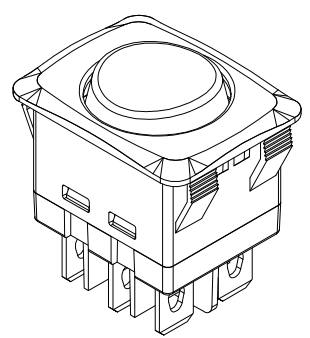
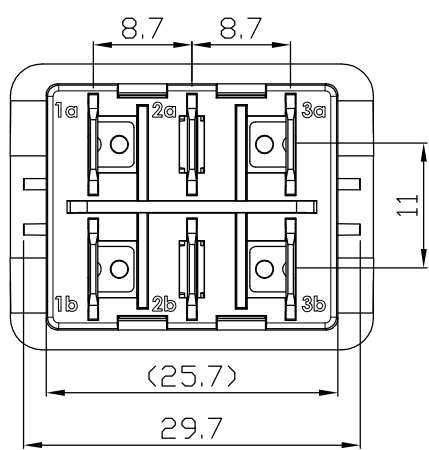
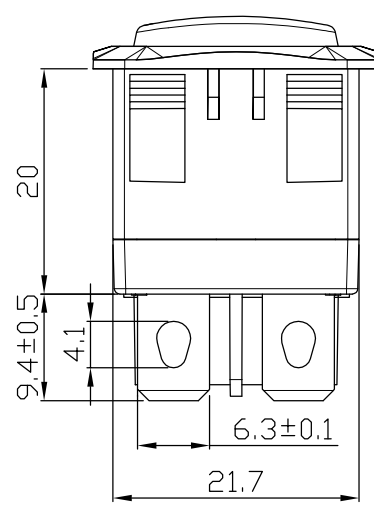
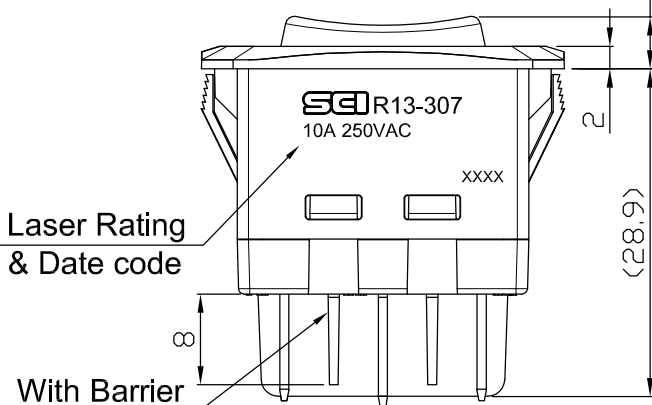


Rating	10A 250V AC	Mount Hole		Circuit Structure
Contact Resistance	50m ohm Max.			
Insulation Resistance	DC 500V 100M ohm Min.			
Dielectric Strength	AC 1500V 1 minute	Thickness	X	Y
Operation Temperature	-25°C~+85°C	0.75...1.25	29.8+0.1	
Switch Function	6P DPDT ON-OFF-ON	1.25...2	30.0+0.1	22.2±0.1
		2...3	30.2+0.1	



- *Materials:
- 1.Frame: Nylon 66+15%GF, black (UL94V-0).
 - 2.Actuator: PC, green color (UL94V-2).
 - 3.Terminal: Silver plated copper.



TOLERANCE: ±0.3mm UNLESS OTHERWISE SPECIFIED.

								△
Date	Name	Descriptions						NO
Drawn	Checked	Approved	SCI BOM No.	1827909	Model Name	Rocker Switch		
Jam Chan			Customer No.		Model No.	R13-307EN-01-BG-5	REV.	
2/26/'25			Unit	mm	SHIN CHIN INDUSTRIAL CO., LTD.			X0