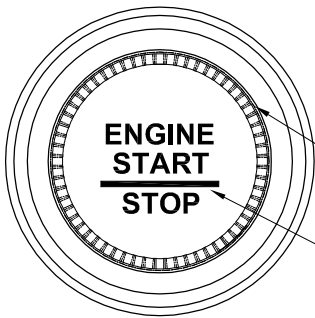
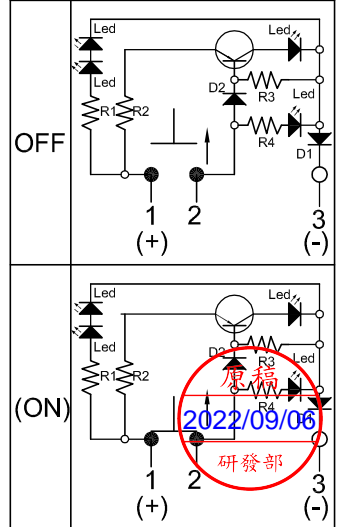


Rating	50A max. 12V DC	Mounting Hole	
Contact Resistance	50m ohm Max.		
Insulation Resistance	DC 500V 100M ohm Min.		
Dielectric Strength	AC 1500V 1 minute		
Operation Temperature	-25°C~85°C		
Circuit	3P SPST OFF-(ON)	Thickness:4.0mm max.	Thickness:4.0mm max.

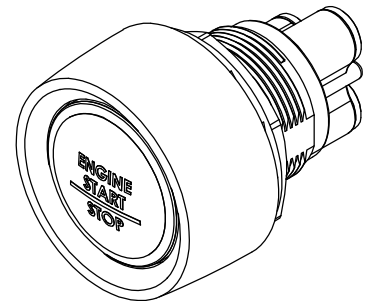
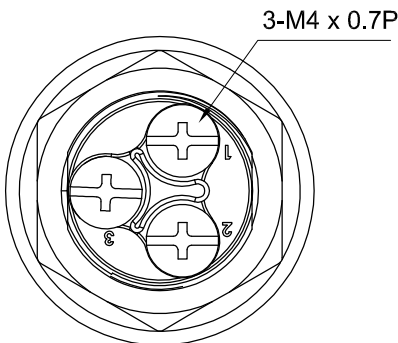
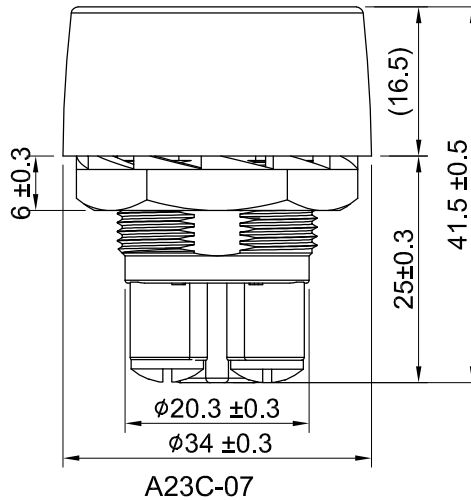
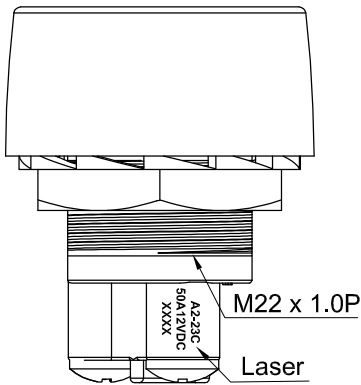
Materials:  
 Frame: Black, Nylon 66 (UL94V-2).  
 Putton: White clear, PC (UL94V-2).  
 Cover: ABS (UL94HB), plastic plating Cr.  
 Terminals: Brass Alloy.  
 Contacts: Copper Alloy + AgSnO2InO3.  
 Actuator: PC, white diffused + black painting.  
 \* Printed: Laser engrave.

**Circuit Diagram**



Aura independent  
Red led

Laser engrave  
Push OFF: Blue led  
Push (ON): Green led



							△ NO
Date	Name	Description					
Drawing	Check	Approval	SCI No.	1110186	Model Name	Push Switch	
Jam Chan	許庭禎	余敏明	Customer No.		Model No.	A2-23C-07-RUG-1	Rev.
8/10/'22	2022/08/11	2022/08/11	Unit	mm	SHIN CHIN INDUSTRIAL CO., LTD.		0