

# LC-JBM201 Series

## IP68 Junction Box Kits

Robust IP68 junction boxes moulded in UV resistant PA66 nylon material suitable for outdoor installations such as lighting, agricultural and industrial applications. Available in multiple configurations with up to 5mm thick walls, integrated cable gland entries and seals. The enclosure has a professional hinged lid with a solid metal pin. Supplied including a 4 pole nylon screw pillar terminal block with 6mmsq wire entries and multiple sealing grommets from 3.5mm up to 12mm cable diameters.



- Junction box with hinged lid and 4-pole terminal block
- IP68 waterproof and weatherproof
- PA66 UL94-V0 and UV resistant
- Screw type up to 40A / 450V
- Cable range 3.5mm to 12mm
- Copper alloy terminals and silicone rubber seals
- Compact size with multiple configurations
- Supplied as kit with all required seals
- Robust 4-5mm thick walls
- Moulded hinge with metal pin
- TUV, UKCA, CE approvals

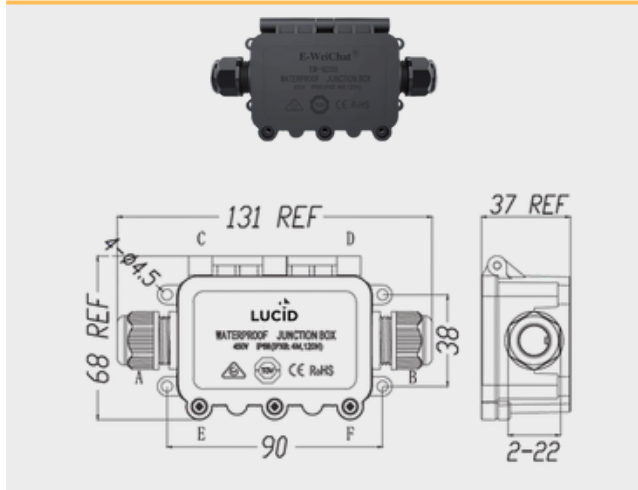
### Specifications & Materials:

Unit of Supply	Junction box, seals, closure screws, screw terminal block
Number of Poles	4
Number of Cable Entries	2 / 3 / 4 / 5 / 6
IP Rating	IP68
Voltage	450V
Current Rating	40A
Wire Size	0.5mm <sup>2</sup> to 6.0mm <sup>2</sup>
Material	PA66 UL94 V-0 Nylon UV and Flame retardant
Cable Diameter	3.5mm - 12mm
Temperature Rating	-40°C to +105°C
ROHS Status	Compliant
Approvals	UL, UKCA, ENEC, CE

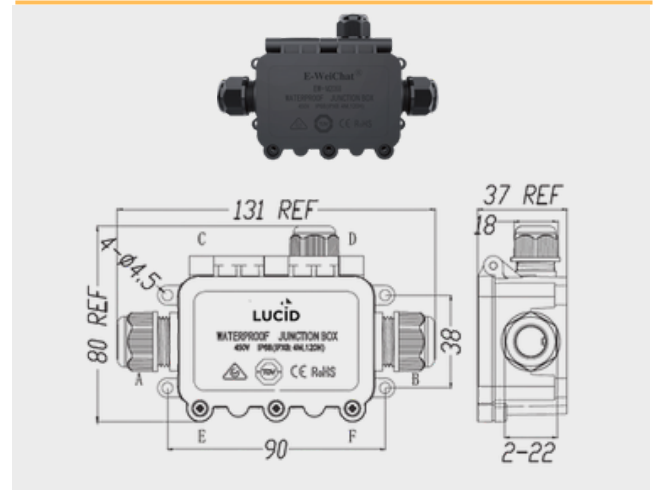
# LC-JBM201 Series

## IP68 Junction Box Kits

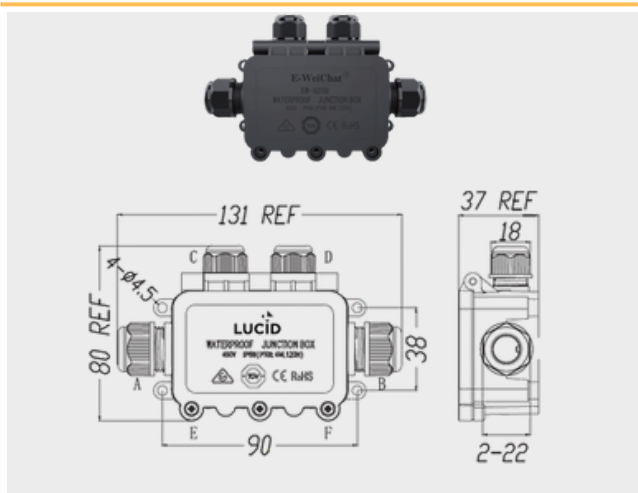
LC-JBM201-2T



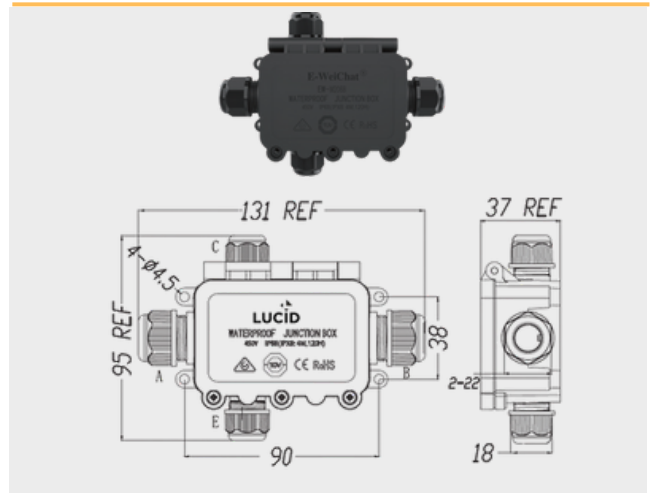
LC-JBM201-3T



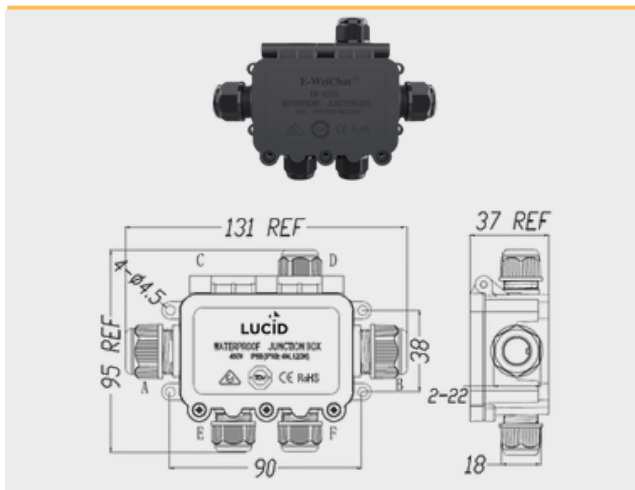
LC-JBM201-4TA



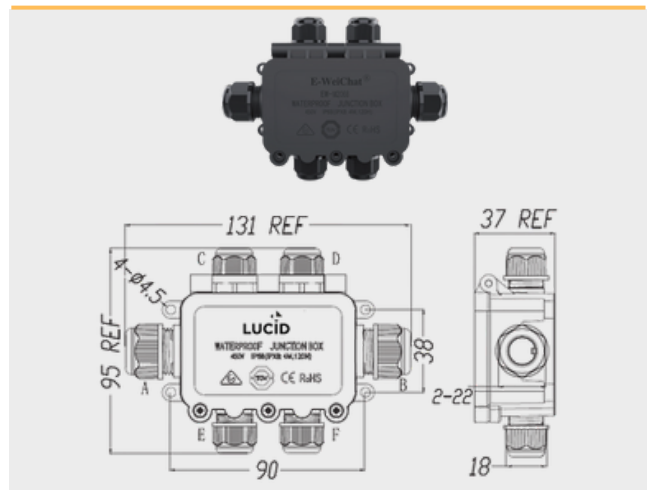
LC-JBM201-4TB



LC-JBM201-5T



LC-JBM201-6T



# LC-JBM201 Series

## IP68 Junction Box Kits

LC-JBM201-xx Internal Dimension



### Part numbers

Part Number	Cable Entries	Min Cable OD	Max Cable OD	Length	Width	Depth
LC-JBM201-2T	2 x M20	5mm	12mm	131mm	68mm	37mm
LC-JBM201-3T	2 x M20 / 1 x M16	5mm / 3.5mm	12mm / 10mm	131mm	80mm	37mm
LC-JBM201-4TA	2 x M20 / 2 x M16	5mm / 3.5mm	12mm / 10mm	131mm	80mm	37mm
LC-JBM201-4TB	2 x M20 / 2 x M16	5mm / 3.5mm	12mm / 10mm	131mm	95mm	37mm
LC-JBM201-5T	2 x M20 / 3 x M16	5mm / 3.5mm	12mm / 10mm	131mm	95mm	37mm
LC-JBM201-6T	2 x M20 / 4 x M16	5mm / 3.5mm	12mm / 10mm	131mm	95mm	37mm

### Also available

Screwless Cable Connectors



MPN: LC-CJP20T-3P

Screw Cable Connectors



MPN: LC-CJM20-3P