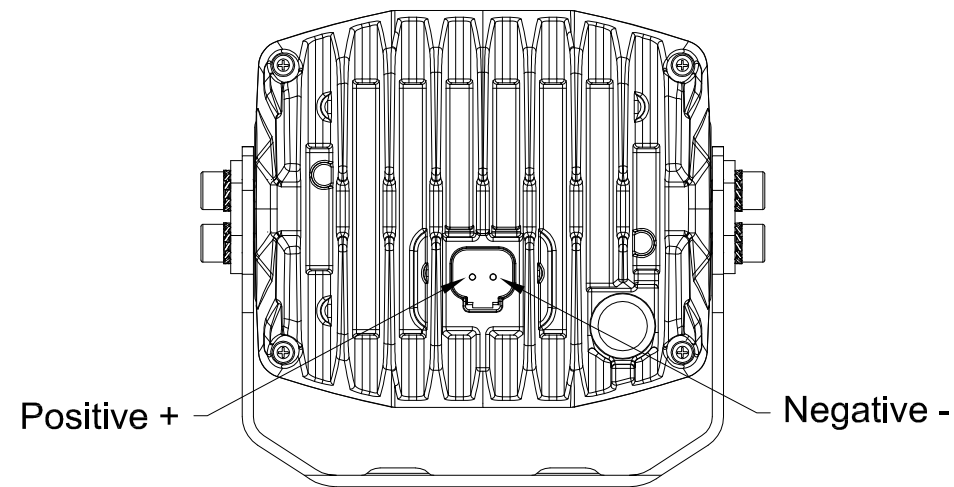
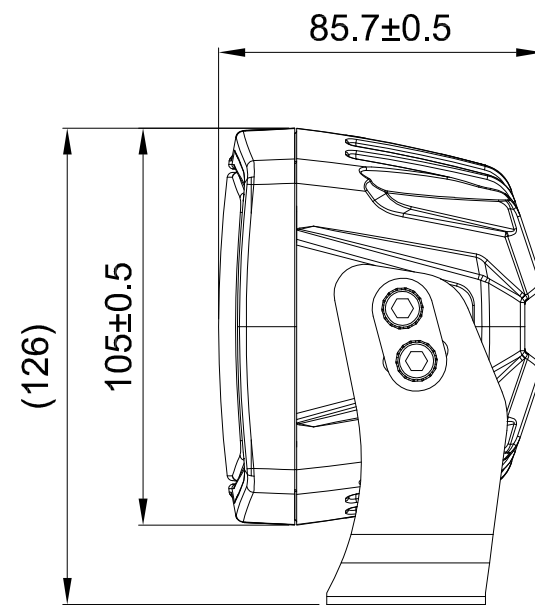
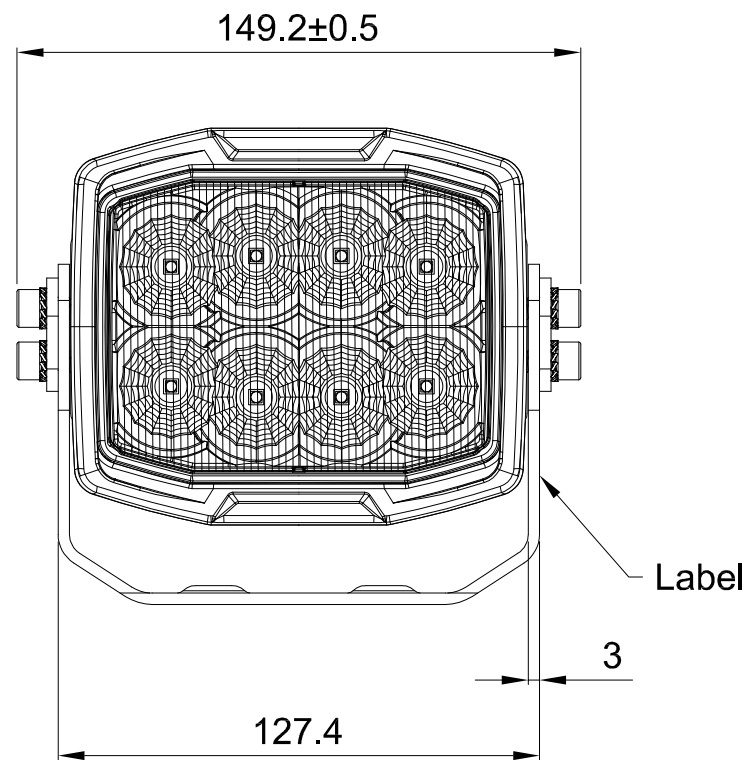
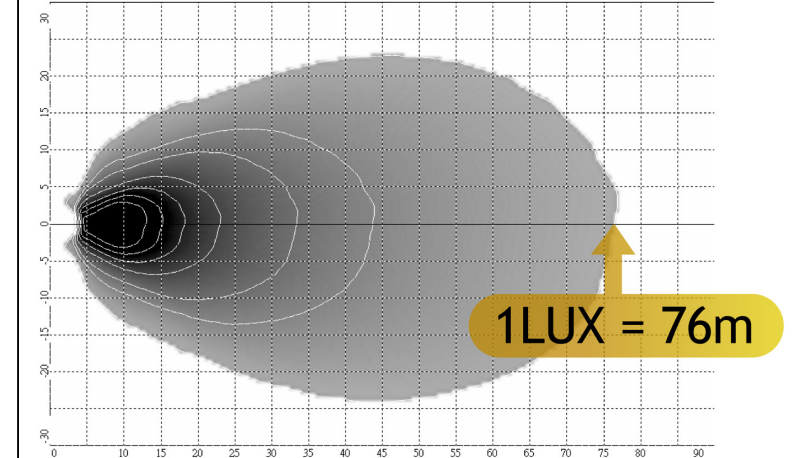


原稿  
2023/11/08  
研發部

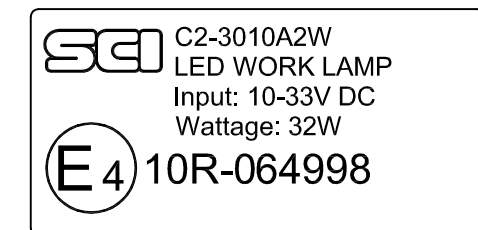


Nominal/Input Voltage DC	10~33V
Nominal Current at	2.7A@12V / 1.35A@24V
Power Consumption	32W
Raw Lumen Output	5600 Lm
Effective Lumen Output	2700 Lm
Colour Temperature	5700K
IP Rating	IP68
Vibration	10G
Body	Aluminium
LENS	PC
Connector	DT04-2P
EMC	ECE R10 / ISO 13766
Operating Temperatures	-30°C~+85°C
Beam Pattern(s)	Flood Beam

C2-3010AW 2.5m high at 10°



LABEL



A3

Drawn	Checked	Approved	SCI BOM No.	1264650	Model Name	LED WORK LAMP
洪美婷/吳俊緯	沈忠男	張恩修	Customer No.		Model No.	C2-3010A2YW-1033-HPW-R10
Date	2023/11/03	2023/11/03	Unit	mm	Shin Chin Industrial Co., Ltd.	0

Date	Name	Description	NO
------	------	-------------	----