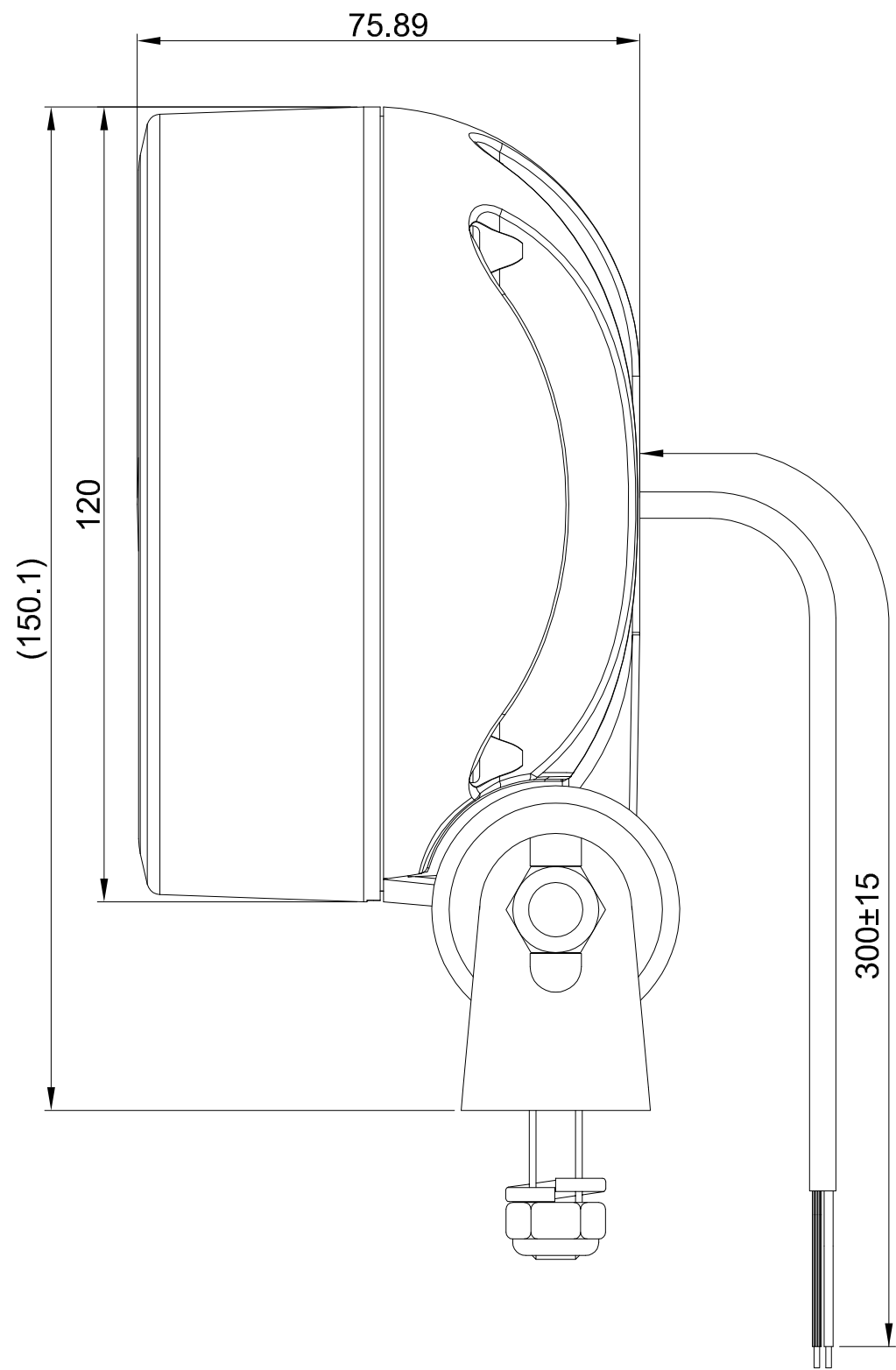
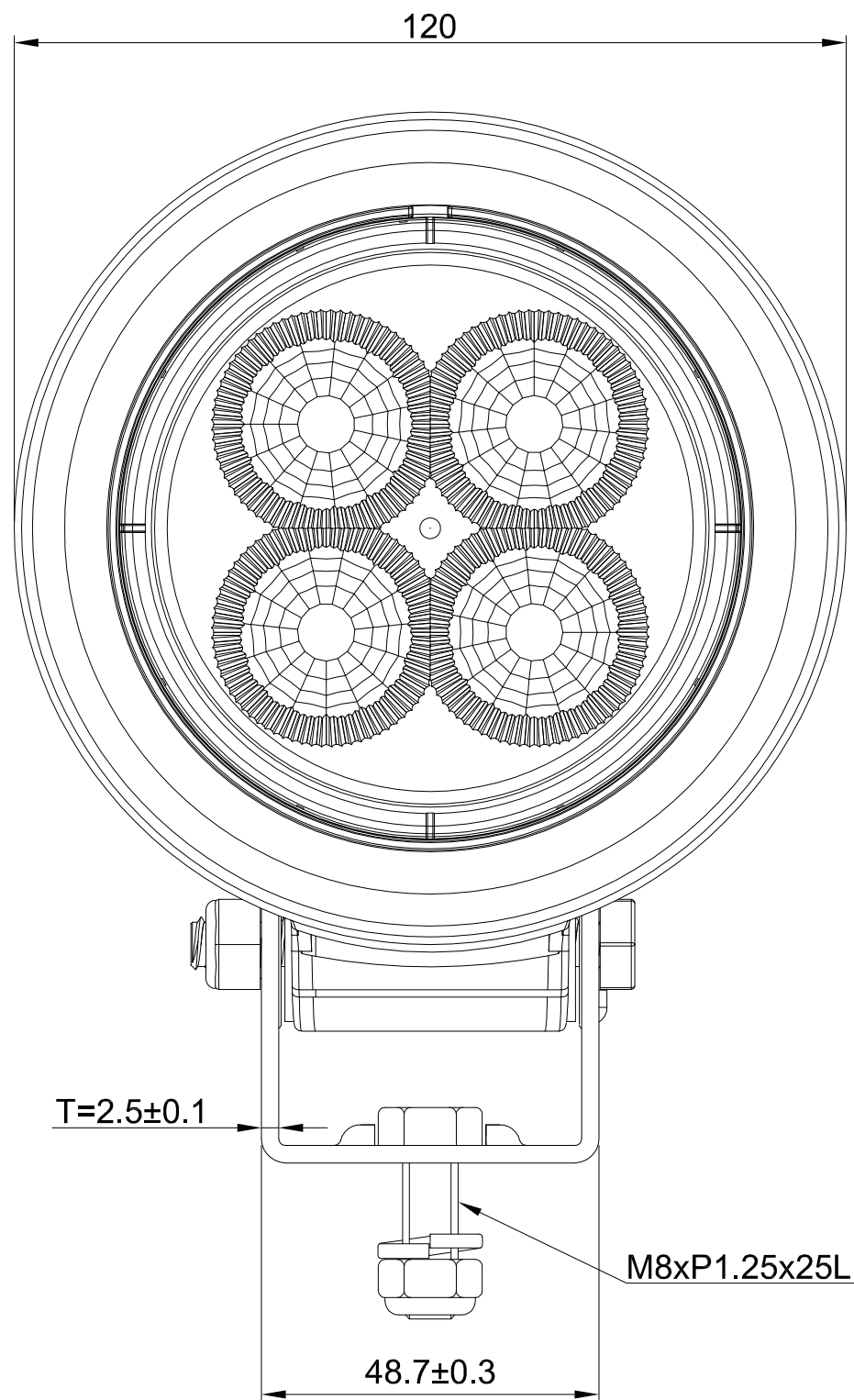
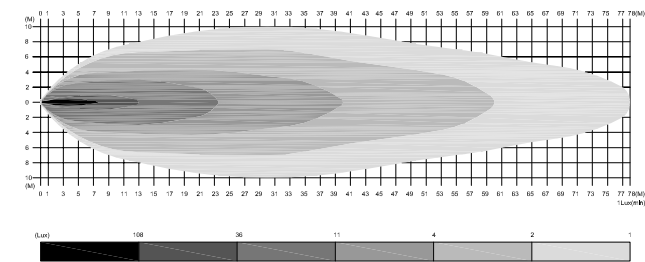


原稿  
2023/05/11  
研發部



Nominal/Input Voltage DC	12/24/48 9~80V
Nominal Current at	1.4A@12V 0.7A@24V 0.35A@48V
Power Consumption	17W
Raw Lumen Output	3040 Lm
Effective Lumen Output	1000 Lm
Colour Temperature	5700K
IP Rating	IP66
Vibration	7G
Body	Aluminium
LENS	PC
EMC	EN50498
Operating Temperatures	-30°C~+65°C
Beam Pattern(s)	Flood Beam



LABEL



A3

Date	Name	Description	NO	Drawn	Checked	Approved	SCI BOM No.	1264556	Model Name	LED Work Lamp
				洪美婷/吳俊緯	沈忠男	張恩仔	Customer No.		Model No.	C2-107RB-980-HPW-FLB
				04/21/23	2023/05/02	2023/05/02	Unit	mm	Shin Chin Industrial Co., Ltd.	0