



APPROVED DATA SHEET

Model: 1001610442(SW2-10H1-00A0-Z)
=====

ISSUED DATE: 2023.09.08
APPROVED NO. 1001610442.F
PAGE: 1/4

The undersigned guarantee of the model switches is meets the following specifications.

1. Operation Characteristics

Operating Force (OF)	:	Max. 300 gf
Releasing Force (RF)	:	Min. 70 gf
Free Position (FP)	:	Max. 9.9 mm
Operating Position (OP)	:	8.4±0.3 mm
Movement Differential (MD)	:	Max. 0.2 mm
Over-travel (OT)	:	Min. 0.4 mm
Pre-travel (PT)	:	Max. 1.2 mm

2. Specifications

Initial Contact Resistance	:	Max. 300mΩ. (Measured by ohm meter –Open Voltage<1VDC, Driver current -100mA) Before measure the switch contact resistance, please press the switch three times on and off.
Initial Dielectric Strength	:	500VAC(50-60HZ)/minute between contacts. 1,500VAC(50-60HZ)/minute between Live-parts and dead metal parts.
Insulation Resistance	:	Min. 100MΩ (500 VDC/ minute) between Live-parts and dead metal parts.
Circuit Arrangement	:	SPDT (Single pole double throw)
Rating	:	10A 125/250VAC ; 10(2)A 125/250VAC 5A 30VDC (Resistive Load)
Service Life	:	Min. 10,000 operations.
Rating Load	:	Inductive (GP) Load; Resistive (R) Load R-M(Resistive-motor) Load
Operating Frequency	:	10~30 operations per minute.
Safety Certificate	:	UL, cUL, ENEC

Operating application of the switch : Set the switch pushing distance from 60% to 90% of the specified OT value.

Protection : IP67 (excluding the terminals on terminal models).



ZIPPY TECHNOLOGY CORP.



10F, No.50, MinQuan Road, Xindian District,
New Taipei City, Taiwan, R.O.C

TEL: 886-2-2918-8512 / 886-2-2918-0603
FAX: 886-2-2915-5765 / 886-22916-0215
[Http://www.zippy.com.tw](http://www.zippy.com.tw)

APPROVED DATA SHEET

Model: 1001610442(SW2-10H1-00A0-Z)

ISSUED DATE: 2023.09.08
APPROVED NO. 1001610442.F
PAGE: 2/4

3. Environments

- Operating Temperature : -40°C ~ 125°C (with no icing)
- Vibration Resistance : 10~55Hz, displacement 0.75mm(p-p)
- Shock Resistance : Destruction: 1,000 m/s² {approx. 100G} max.
Malfunction: 300 m/s² {approx. 30G} max.

(For the pin plunger models, the vibration & shock condition apply for use at the free position and total travel position)
(For the lever models, the vibration & shock condition apply for use at the total travel position)

- Soldering by hand : 350°C maximum within 3 seconds (300°C maximum within 5 seconds).
- Soldering bath : 260°C maximum within 5 seconds.

4. Caution:



or click the link→https://www.zippy.com/ecmodelcautions/micro_switch_cautions.pdf

ZIPPY TECHNOLOGY CORP.

陳立業

PREPARED

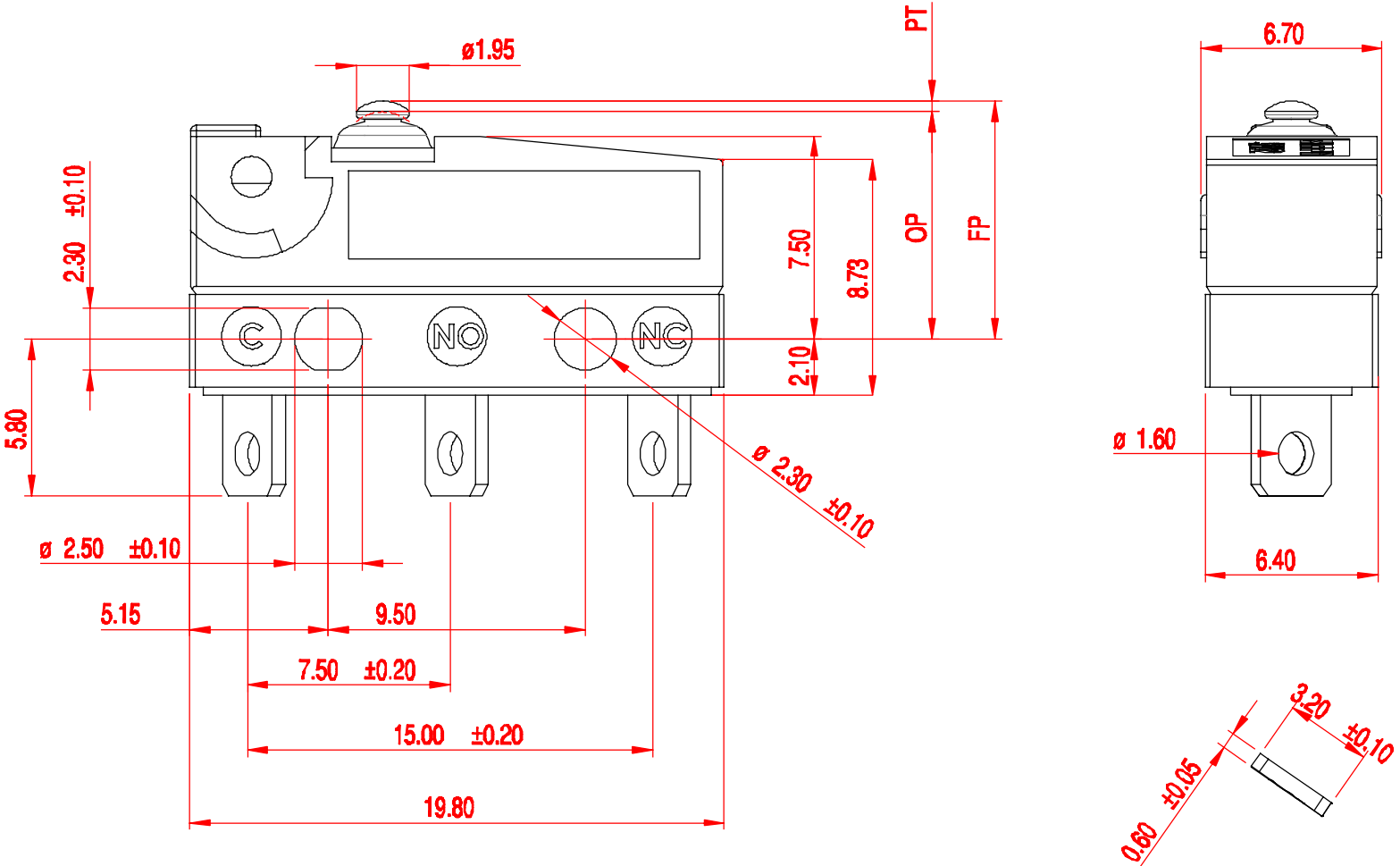
許志誠

CHECKED

沈俊榮

APPROVED

Dimensions drawing



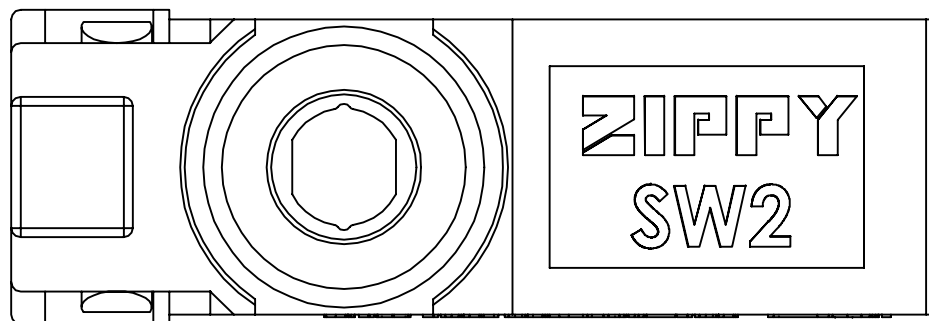
Tolerance	
X. X	± 0.2
XX. X	± 0.4

VIEW		SIZE	A4	UNIT	mm
DATE	SEP-12-2014	VER.	1.1	FILE NAME	SW2-100A0
APPROVAL	沈俊榮	CONFIRM	陳立業	DESIGN	張立人

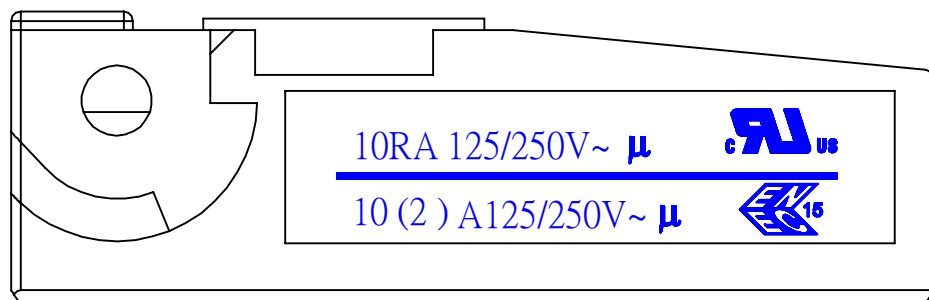
新巨企業股份有限公司

ZIPPY TECHNOLOGY CORP.

Marking drawing



This page shows switch marking only.
 此頁僅顯示開關印字，外觀參照外觀圖
 Marking will be randomly on side A or side B
 印字可為A面或B面
 Marking can either be printed or molded
 印字可為印刷或模刻



VIEW		SIZE	A4	UNIT	mm
DATE	2020.11.10	VER.	1.1	FILE NAME	SW2-10-u
APPROVAL	沈俊榮	CONFIRM	許志誠	DESIGN	陳立業