



ZIPPY TECHNOLOGY CORP.



10F, No.50, MinQuan Road, Xindian District,  
New Taipei City, Taiwan, R.O.C

TEL: 886-2-2918-8512 / 886-2-2918-0603  
FAX: 886-2-2915-5765 / 886-22916-0215  
[Http://www.zippy.com.tw](http://www.zippy.com.tw)

**APPROVED DATA SHEET**

**Model: 1001610388(SW2-06S1-05L0-EA001-Z)**

**ISSUED DATE: 2023.11.21**  
**APPROVED NO. 1001610388.C**  
**PAGE: 1/4**

The undersigned guarantee of the model switches is meets the following specifications.

**1.Operation Characteristics**

Operating Force (OF) : Max. 72 gf  
Releasing Force (RF) : Min. 15 gf  
Free Position ( FP ) : Max. 17.7 mm  
Operating Position (OP) : 14.5±1.1 mm  
Movement Differential (MD) : Max. 0.6 mm  
Over-travel (OT) : Min. 0.6 mm  
Pre-travel (PT) : Max. 4.3 mm

**2. Specifications**

Initial Contact Resistance : Max. 370mΩ.  
( Measured by ohm meter –Open Voltage<1VDC, Driver current -100mA )  
Before measure the switch contact resistance, please press the switch three times on and off.

Initial Dielectric Strength : 500VAC(50-60HZ)/minute between contacts.  
1,500VAC(50-60HZ)/minute between Live-parts and dead metal parts.

Insulation Resistance : Min. 100MΩ ( 500 VDC/ minute ) between Live-parts and dead metal parts.

Circuit Arrangement : SPDT ( Single pole double throw )

Rating : 6A 125/250VAC  
5A 30VDC ( Resistive Load )

Service Life : Min. 10,000 operations.

Rating Load : Resistive (R) Load & Inductive (GP) Load.

Operating Frequency : 10~30 operations per minute.

Safety Certificate : UL, cUL, ENEC

Mechanical Service Life : Min. 2,000,000 operations.

Operating Frequency : Max. 120 operations per minute.

Operating application of the switch : Set the switch pushing distance from 60% to 90% of the specified OT value.

International Protection Code : IP67



ZIPPY TECHNOLOGY CORP.



10F, No.50, MinQuan Road, Xindian District,  
New Taipei City, Taiwan, R.O.C

TEL: 886-2-2918-8512 / 886-2-2918-0603  
FAX: 886-2-2915-5765 / 886-22916-0215  
[Http://www.zippy.com.tw](http://www.zippy.com.tw)

### APPROVED DATA SHEET

Model: 1001610388(SW2-06S1-05L0-EA001-Z)

ISSUED DATE: 2023.11.21  
APPROVED NO. 1001610388.C  
PAGE: 2/4

### 3. Environments

- Operating Temperature : -40°C ~ 85°C ( with no icing )
- Vibration Resistance : 10~55Hz, displacement 0.75mm(p-p)
- Shock Resistance : Destruction: 1,000 m/s<sup>2</sup> {approx. 100G} max.  
Malfunction: 300 m/s<sup>2</sup> {approx. 30G} max.

( For the pin plunger models, the vibration & shock condition apply for use at the free position and total travel position )  
( For the lever models, the vibration & shock condition apply for use at the total travel position )

Soldering by hand : 350°C maximum within 5 seconds.

### 4. Caution:



or click the link→[https://www.zippy.com/ecmodelcautions/micro\\_switch\\_cautions.pdf](https://www.zippy.com/ecmodelcautions/micro_switch_cautions.pdf)

ZIPPY TECHNOLOGY CORP.

簡素玲

PREPARED

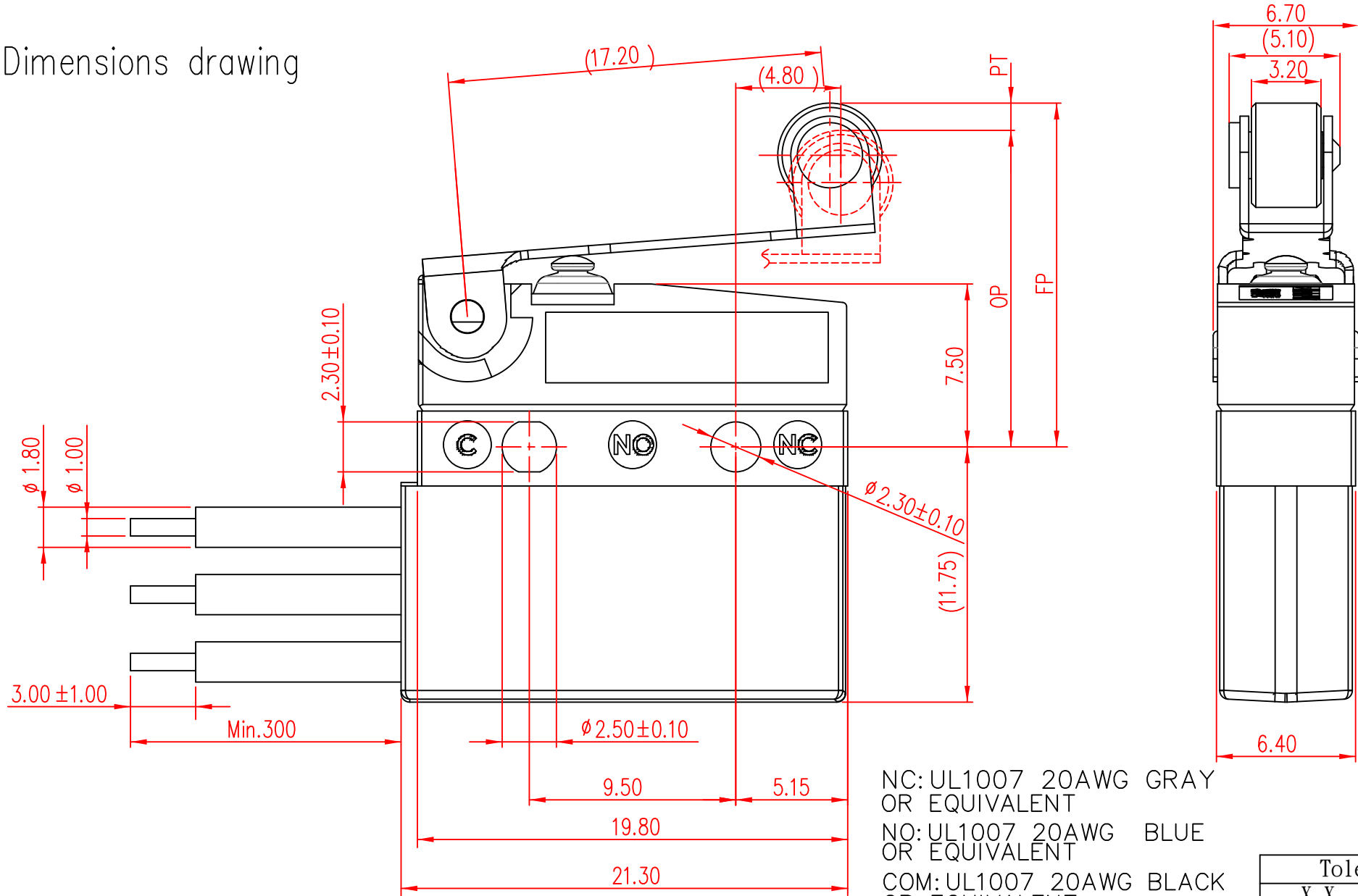
陳立業

CHECHED

沈俊榮

APPROVED

# Dimensions drawing

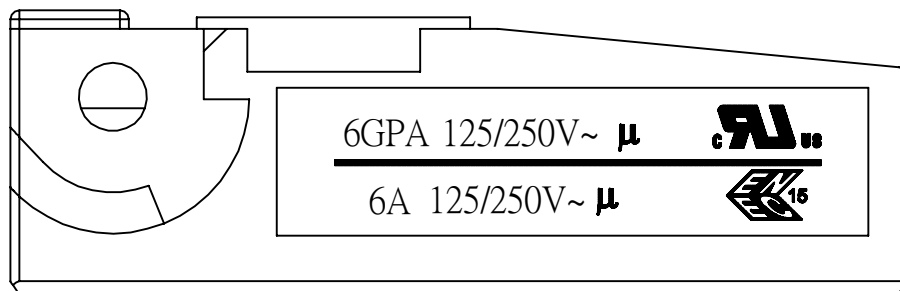
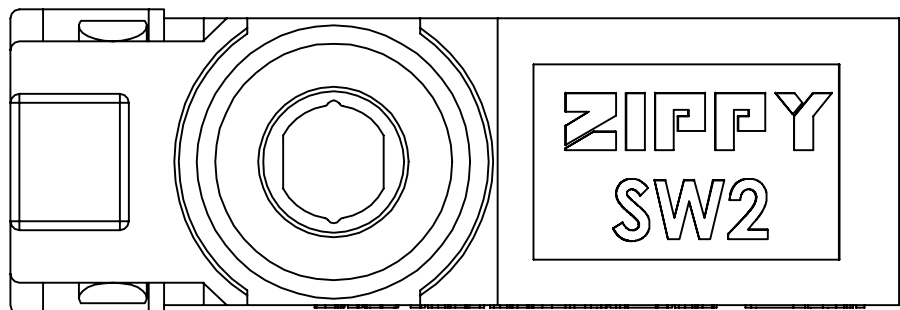


NC: UL1007 20AWG GRAY  
OR EQUIVALENT  
NO: UL1007 20AWG BLUE  
OR EQUIVALENT  
COM: UL1007 20AWG BLACK  
OR EQUIVALENT

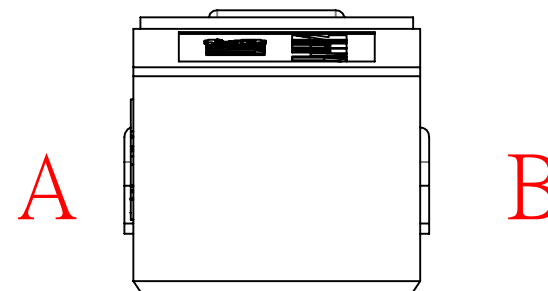
Tolerance	
X.X	$\pm 0.2$
XX.X	$\pm 0.4$

VIEW		SIZE	A4	UNIT	mm
DATE	2018/9/27	VER.	1.0	FILE NAME	SW2-05L0-EA001
APPROVAL	沈俊榮	CONFIRM	許志誠	DESIGN	陳立業

# Marking drawing



This page shows switch marking only.  
 此頁僅顯示開關印字，外觀參照外觀圖  
 Marking will be randomly on side A or side B  
 印字可為A面或B面  
 Marking can either be printed or molded  
 印字可為印刷或模刻



VIEW		SIZE	A4	UNIT	mm
DATE	2020.11.04	VER.	1.3	FILE NAME	SW2-06-u
APPROVAL	沈俊榮	CONFIRM	許志誠	DESIGN	陳立業