



**APPROVED DATA SHEET**

-----  
**Model: 1001570381(DFW-G3S-A01P0E-Z)**  
=====

ISSUED DATE: 2023.10.11  
APPROVED NO.: 1001570381.C  
PAGE: 1/4

The undersigned guarantee of the model switches is meets the following specifications.

**1.Operation Characteristics**

- Operating Force (OF) : Max.56 gf
- Releasing Force (RF) : Min. 8 gf
- Free Position (FP) : Max. 9.0 mm
- Operating Position (OP) : 7.1 ± 0.8 mm
- Movement Differential (MD) : Max. 0.8 mm
- Over-travel (OT) : Min. 0.6 mm
- Pre-travel (PT) : Max. 3.4 mm

**2. Specifications**

- Initial Contact Resistance : Max. 100 mΩ.  
Before measure the switch contact resistance, please press the switch three times on and off.
- Initial Dielectric Strength :  
500VAC(50-60HZ)/minute between contacts.  
1500VAC(50-60HZ)/minute between Live-parts and dead metal parts.
- Insulation Resistance : Min. 100 MΩ( 500 VDC/ minute ) between Live-parts and dead metal parts.
- Circuit Arrangement : SPDT ( Single pole double throw )
- Rating : 3A 125/250VAC ; 3A 24VDC
- Service Life : Min. 10,000 operations
- Rating Load : Resistive Load
- Operating Frequency : 10~30 operations per minute
- Safety Certificate : UL, cUL, ENEC
  
- Mechanical Service Life : Min. 1,000,000 operations.
- Operating Frequency : Max. 120 operations per minute
- Operating application of the switch : Set the switch pushing distance from 60% to 90% of the specified OT value.
  
- Protection : IP67 (excluding the terminals on terminal models)



ZIPPY TECHNOLOGY CORP.



10F, NO.50, MIN CHYUAN ROAD,  
SHIN-TIEN CITY, TAIPEI COUNTY,  
TAIWAN, R.O.C

TEL: 886-2-2918-8512 / 886-2-2918-0603  
FAX: 886-2-2915-5765 / 886-22916-0215  
[Http://www.zippy.com.tw](http://www.zippy.com.tw)

**APPROVED DATA SHEET**

-----  
**Model: 1001570381(DFW-G3S-A01P0E-Z)**  
=====

ISSUED DATE: 2023.10.11  
APPROVED NO.: 1001570381.C  
PAGE: 2/4

**3. Environments**

- Operating Temperature : -40°C ~ 85°C(with no icing)
- Vibration Resistance : 10~55Hz, displacement 0.75mm(p-p)
- Shock Resistance : Destruction: 1,000 m/s<sup>2</sup> {approx. 100G} max.  
Malfunction: 300 m/s<sup>2</sup> {approx. 30G} max.

( For the pin plunger models, the vibration & shock condition apply for use at the free position and total travel position )

( For the lever models, the vibration & shock condition apply for use at the total travel position )

- Soldering by hand : 260°C maximum within 5 seconds.  
300°C maximum within 3 seconds.
- Soldering bath : 260°C maximum within 5 seconds. (PCB thickness more than Min 1.6 mm.)

**4. Caution:**



or click the link→[https://www.zippy.com/ecmodelcautions/micro\\_switch\\_cautions.pdf](https://www.zippy.com/ecmodelcautions/micro_switch_cautions.pdf)

NOTE.1: MB、NO、NC Contacts are gold

ZIPPY TECHNOLOGY CORP.

簡素玲

-----

PREPARED

林佩貞

-----

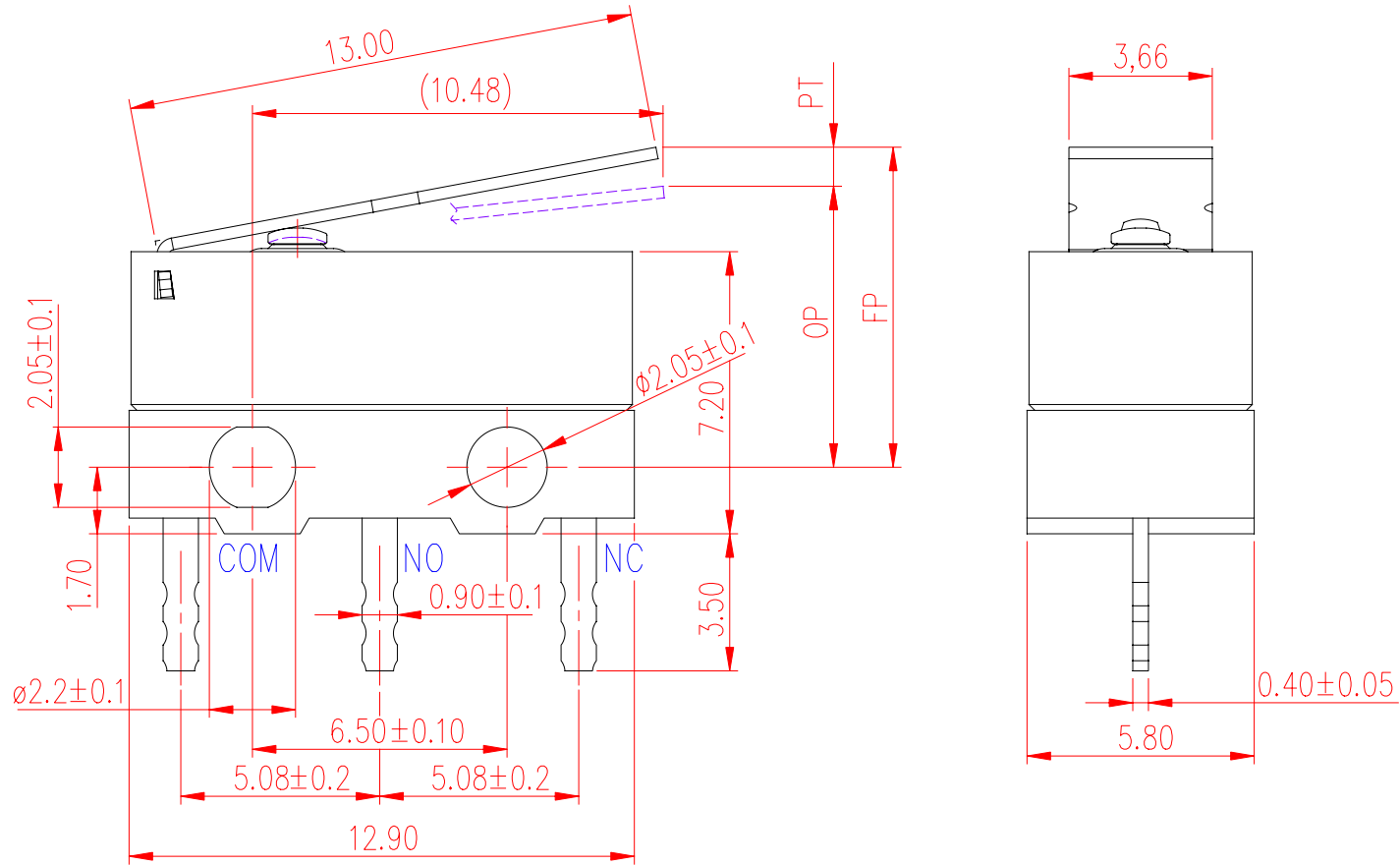
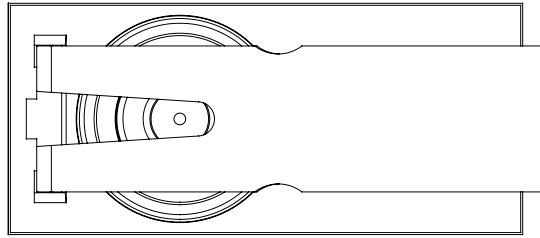
CHECKED

王永輝

-----

APPROVED

# Dimensions drawing



Tolerance	
X.X	± 0.2
XX.X	± 0.4

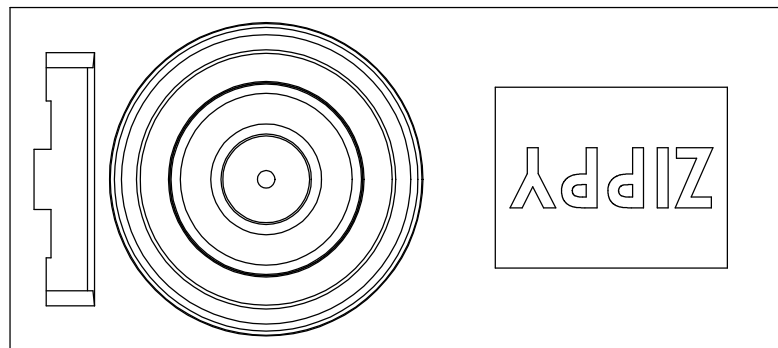
△	DATE	APPROVAL	DESIGN	ENGINEERING CHANGE DESCRIPTION
---	------	----------	--------	--------------------------------

VIEW		SIZE	A4	UNIT	mm
DATE	DEC-03-2014	VER.	1.0	FILE NAME	DFW-A01POE
APPROVAL	沈俊榮	CONFIRM	王永輝	DESIGN	倪有庭

新巨企業股份有限公司

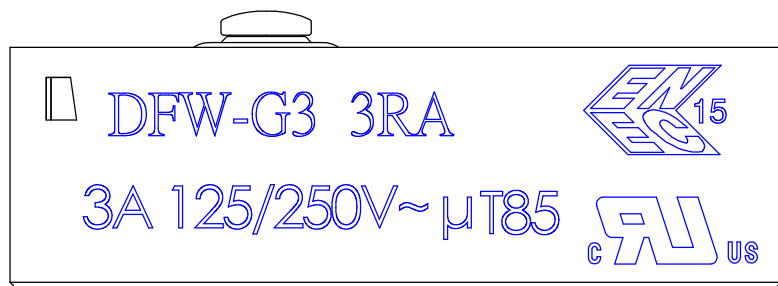
**ZIPPY** TECHNOLOGY CORP.

# Marking drawing

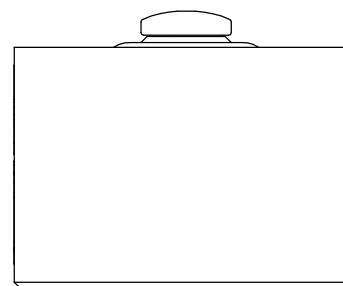


This page shows switch marking only.

此頁僅顯示開關印字，外觀參照外觀圖  
 Marking will be randomly on side A or side B  
 印字可為A面或B面  
 Marking can either be printed or molded  
 印字可為印刷或模刻



A



B

VIEW		SIZE	A4	UNIT	mm
DATE	2020.11.10	VER.	1.1	FILE NAME	DFW-G3-A
APPROVAL	倪有庭	CONFIRM	王永輝	DESIGN	林佩貞