



ZIPPY TECHNOLOGY CORP.



10F, NO.50, MIN CHYUAN ROAD,
SHIN-TIEN CITY, TAIPEI COUNTY,
TAIWAN, R.O.C

TEL: 886-2-2918-8512 / 886-2-2918-0603
FAX: 886-2-2915-5765 / 886-22916-0215
[Http://www.zippy.com.tw](http://www.zippy.com.tw)

APPROVED DATA SHEET

Model:1001640001(DW32-P1S-00P1A-0A-Z)

ISSUED DATE: 2023.08.08

APPROVED NO.: 1001640001.E

PAGE: 1/4

The undersigned guarantee of the model switches is meets the following specifications.

1.Operation Characteristics

- Operating Force (OF) : Max. 122 gf Indicates operating load for NO contact to achieve ON status
- Free Position (FP) : Max. 7.7 mm
- Operating Position on NO side (OP) : 7.1±0.25mm Indicates position for NO contact to achieve ON status
- Over-travel : 1.75 mm (ref.)
- :

2. Specifications

- Initial Contact Resistance : Max. 500mΩ.
Before measure the switch contact resistance, please press the switch three times on and off.
- Initial Dielectric Strength : 500VAC(50-60HZ)/minute between contacts.
1500VAC(50-60HZ)/minute between Live-parts and dead metal parts.
- Insulation Resistance : Min. 100 MΩ(500 VDC/ minute) between Live-parts and dead metal parts.
- Circuit Arrangement : SPST (Single pole single throw)
- Rating & Service Life : 50mA 16VDC - Min. 150,000 operations.
1mA 5VDC - Min. 300,000 operations.
100mA 12VDC - Min. 300,000 operations.
- Rating Load : Resistive Load.
- Operating Frequency : Max.120 operations per minute.
- Protection : IP67 (excluding the terminals on terminal models)



ZIPPY TECHNOLOGY CORP.



10F, NO.50, MIN CHYUAN ROAD,
SHIN-TIEN CITY, TAIPEI COUNTY,
TAIWAN, R.O.C

TEL: 886-2-2918-8512 / 886-2-2918-0603
FAX: 886-2-2915-5765 / 886-22916-0215
[Http://www.zippy.com.tw](http://www.zippy.com.tw)

APPROVED DATA SHEET

Model:1001640001(DW32-P1S-00P1A-0A-Z)

ISSUED DATE: 2023.08.08

APPROVED NO.: 1001640001.E

PAGE: 2/4

3. Environments

Operating Temperature : -40°C ~85°C (with no icing)
Shock Resistance : Destruction: 1,000 m/s² {approx. 100G} max.
Malfunction: 300 m/s² {approx. 30G} max.

(For the pin plunger models, the vibration & shock condition apply for use at the free position and total travel position)
(For the lever models, the vibration & shock condition apply for use at the total travel position)

Vibration Resistance : 10~55Hz, displacement 0.75mm(p-p)
Soldering by hand : 350°C maximum with in 3 seconds.
Soldering by bath : 260°C maximum with in 5 seconds



4. Caution:

or click the link→https://www.zippy.com/ecmodelcautions/slide_switch_cautions.pdf

ZIPPY TECHNOLOGY CORP.

簡素玲

PREPARED

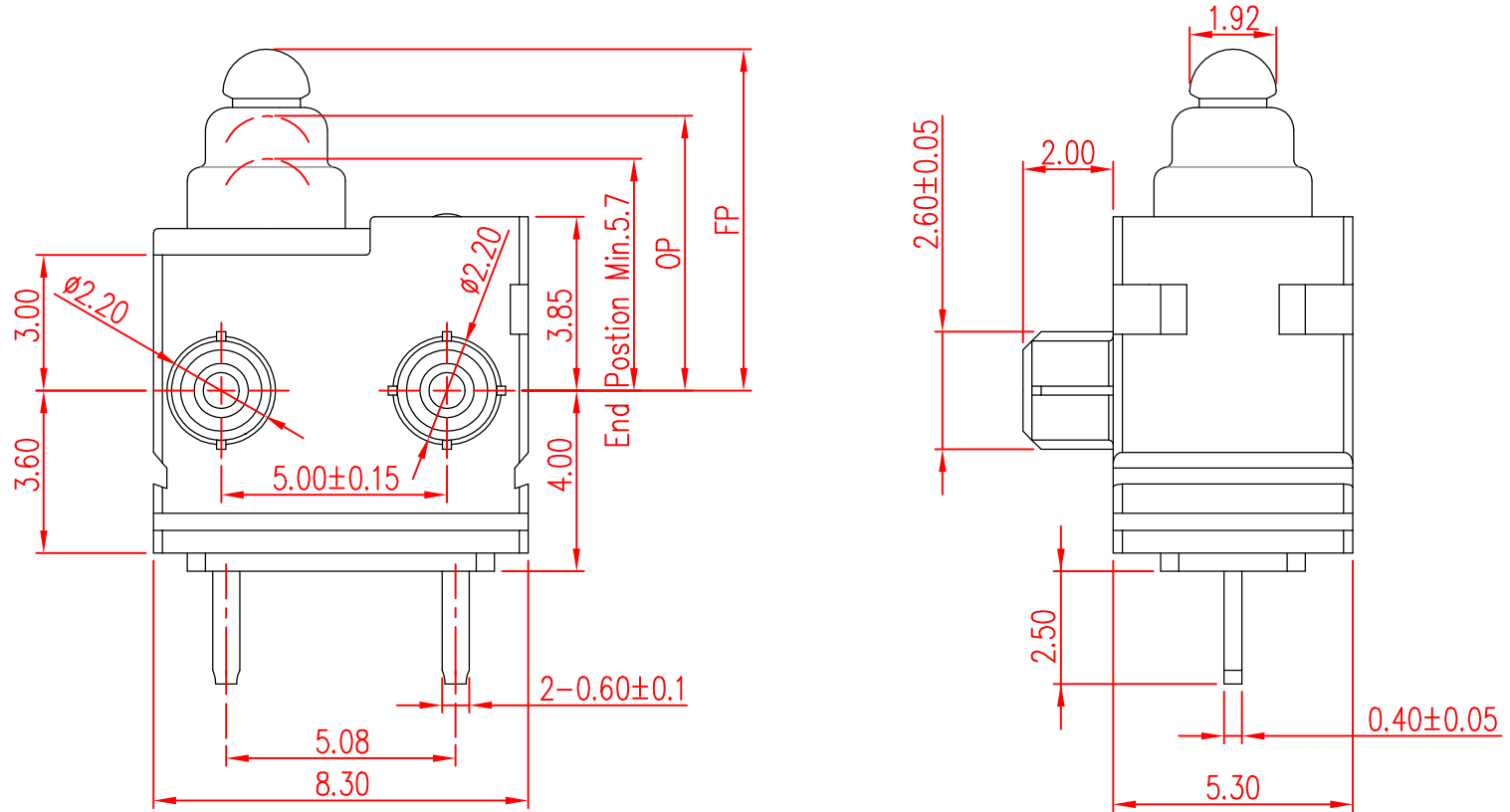
黃俊嘉

CHECKED

王永輝

APPROVED

Dimensions drawing



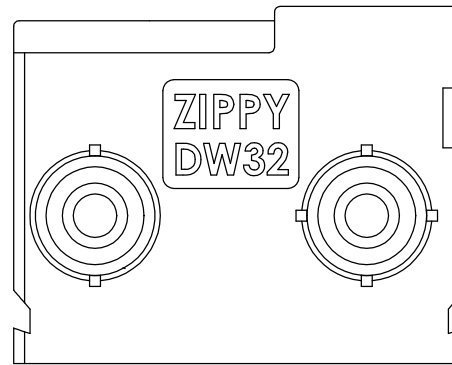
Tolerance	
X. X	± 0.2
XX. X	± 0.4

VIEW		SIZE	A4	UNIT	mm
DATE	2019.07.17	VER.	1.1	FILENAME	DW32-00PA-0A
APPROVAL	倪有庭	CONFIRM	黃俊嘉	DESIGN	許榮淳

新巨企業股份有限公司

ZIPPY TECHNOLOGY CORP.

Dimensions drawing



This page shows switch marking only.
此頁僅顯示開關印字，外觀參照外觀圖
Marking can either be printed or molded
印字可為印刷或模刻

VIEW		SIZE	A4	UNIT	mm
DATE	2020.11.13	VER.	1.1	FILE NAME	DW32-00
APPROVAL	倪有庭	CONFIRM	歐大揮	DESIGN	黃俊嘉