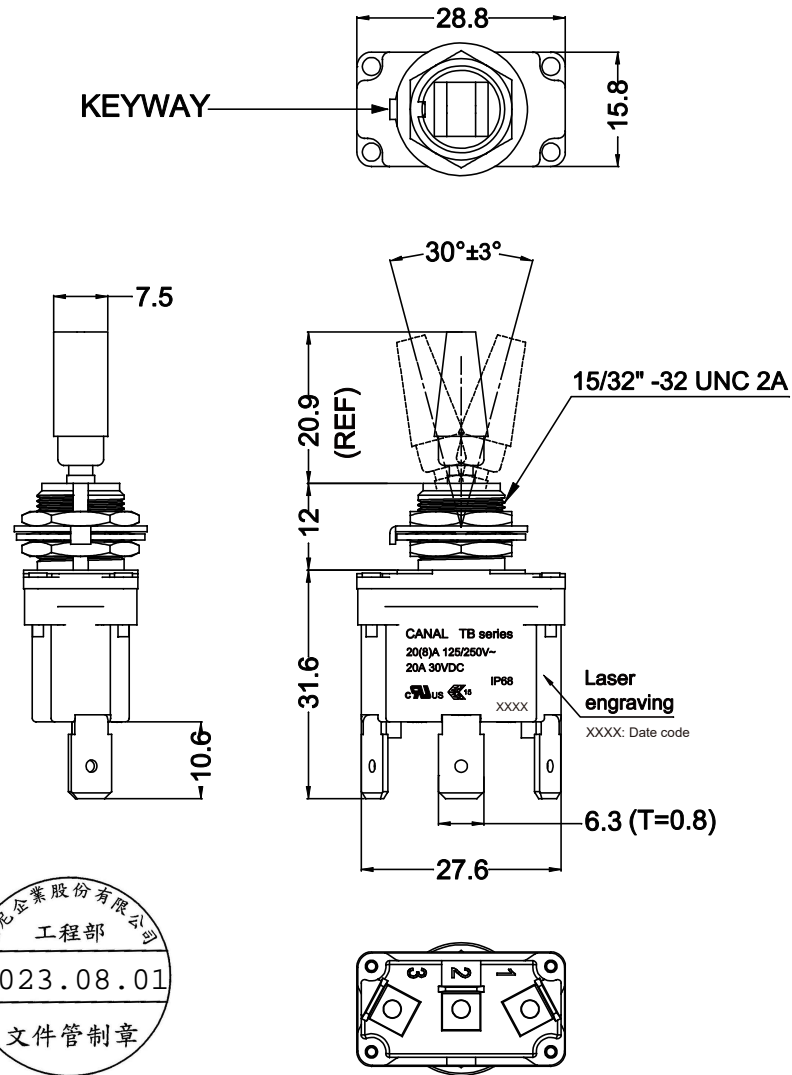
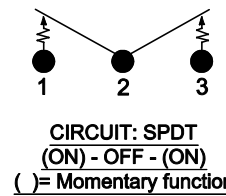


嘉尼企業股份有限公司 CANAL ELECTRONIC CO.,LTD.

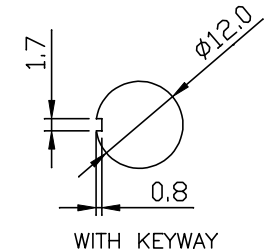
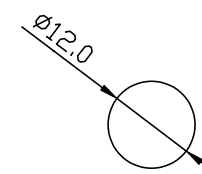


SPECIFICATION MODEL : TB SERIES

Rating: 20(8)A 125/250V~ T55
 Electrical Life: 10,000 cycles (cURus/ENEC15)
 Mechanical Life: 50,000 cycles
 Contact resistance: 20mΩ Inital (MAX),
 Insulation resistance: 500VDC - 100MΩ (MIN).
 Dielectric Strength:
 (1) 1500VAC For 1 minute (Terminal to Enclouse)
 (2) 500VAC For 1 minute (Terminal to Terminal)
 Degree of protection: IP68 (Above the panel)



SWITCH FUNCTION		
(ON)	OFF	(ON)
(1-2)	OFF	(2-3)



NOTE: TOLERANCES UNLESS OTHERWISE SPECIFIED : ± .02 / 0.5 (mm).

REVISION	DESCRIPTION	REVISED BY	TOLERANCES X.X:		ANGLE 1/2°	UNIT	mm	PART NAME	SPEC DRAWING	DWG NO	
△			DRAWN BY	張俊雄	DESIGNED BY	王豐文	SCALE	1/1	PART NO	TB1-BP17-1	
△			CHECKED BY	Jimmy	APPROVED BY		DATE	2023.08.01			
△	2023.08.01 首次出圖	張俊雄									