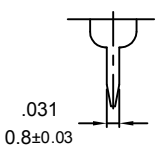
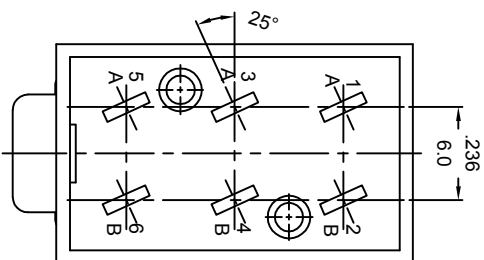
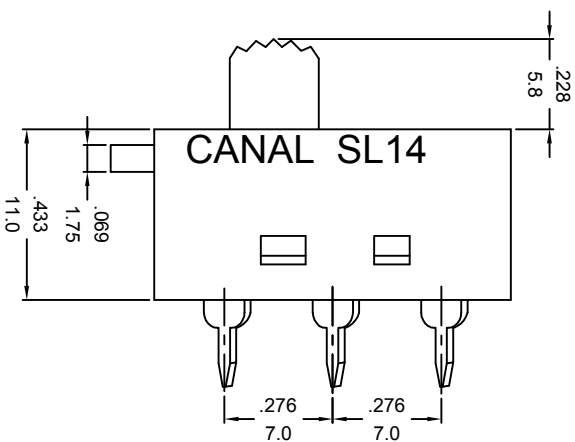
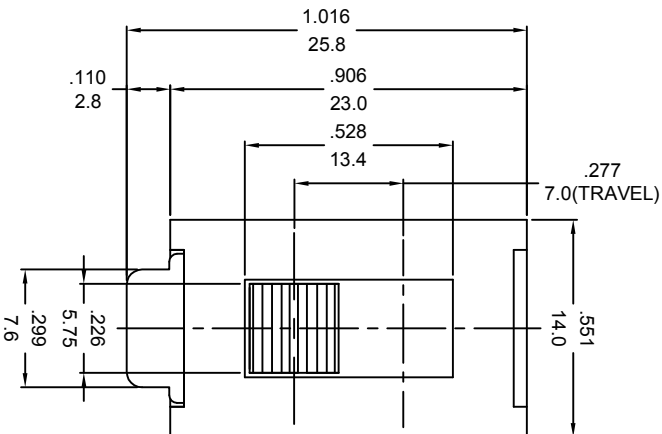


**SLIDE SWITCH MODEL SL14**  
 RATING: 12A 125/250VAC (UL/CUL)  
 10A 125/250VAC 6E3(CQC)  
 8(2)A 125/250V~ μT85/55 1E4 (cURus/ENEC 15)  
 CONTACT RESISTANCE: 20mΩ INITIAL (MAX)  
 INSULATION RESISTANCE: DC 500V 100MΩ(MIN)  
 DIELECTRIC STRENGTH: 1,000VAC FOR 1 MINUTE



T=0.80±0.03  
 DETAIL A



NOTE: TOLERANCES UNLESS OTHERWISE SPECIFIED: ±.012/0.3 (in/mm)

REVISION	DESCRIPTION	REVISED BY	TOLERANCES		ANGLE	SCALE	UNIT	PART NAME	PART NO	DWG NO
			DRAWN BY	CHECKED BY						
△2022.12.15	修改Rating	姜康平	鄒車勝	戴德建	2/1	mm	SL14 SPEC DRAWING		S3511C	
△2013.05.10	新增UI安規，重新出圖	向家								
△2010.03.26	首次出圖	鄒車勝					SL14-22CN(0F)NC			