

SLIDE SWITCH MODEL SL14

RATING: 12A 125/250VAC (UL/CUL)

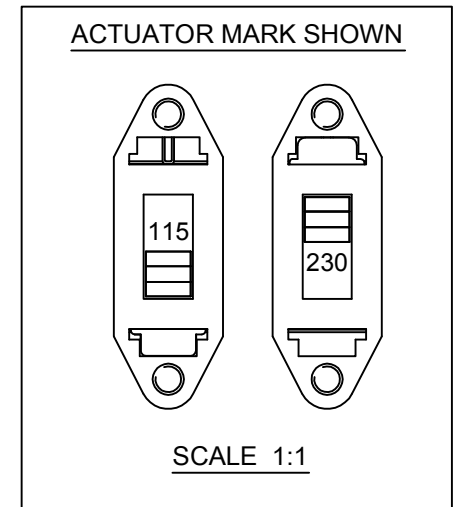
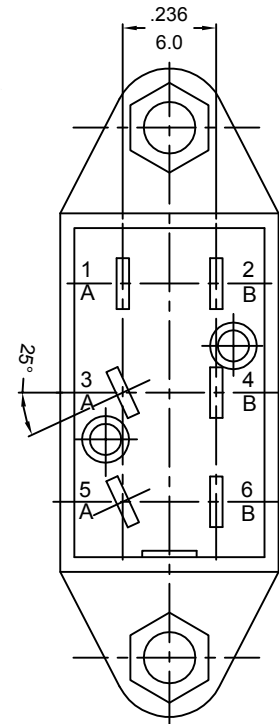
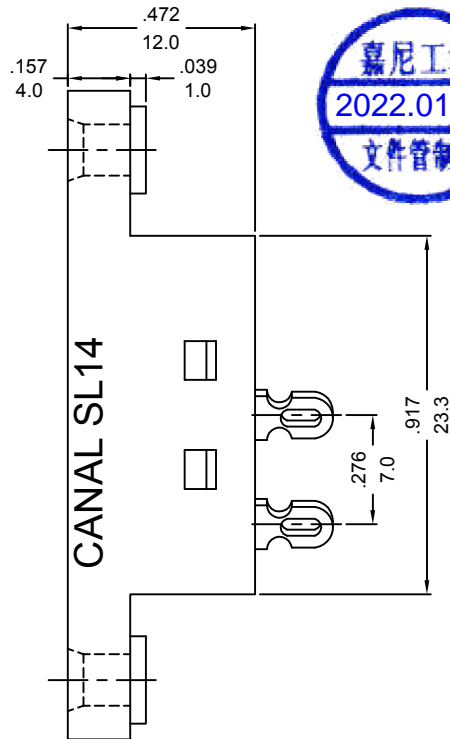
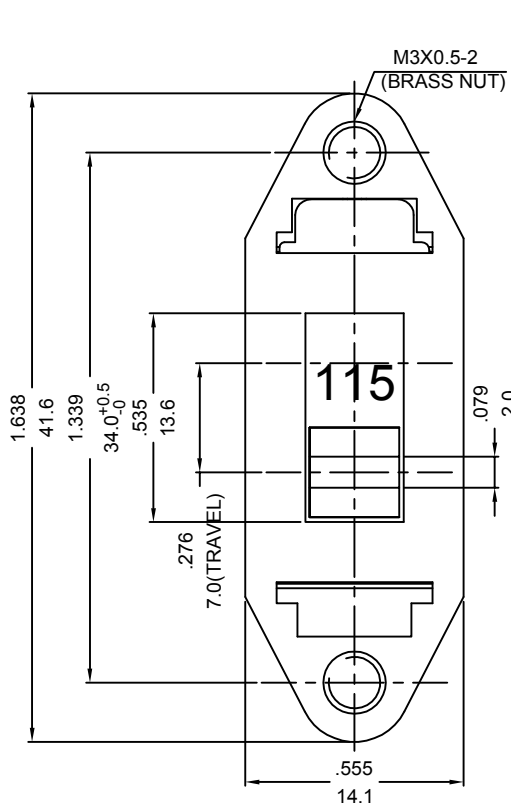
10A 250VAC (CQC)

8(2)A 125/250V~ μT85/55 (cURus/ENEC15)

CONTACT RESISTANCE: 20mΩ INITIAL (MAX)

INSULATION RESISTANCE: DC 500V 100MΩ(MIN)

DIELECTRIC STRENGTH: 1,000VAC FOR 1 MINUTE



NOTE: TOLERANCES UNLESS OTHERWISE SPECIFIED: ±.012/0.3(in/mm)

REVISION	DESCRIPTION	REVISED BY	TOLERANCES		ANGLE ½°		UNIT	mm	PART NAME	SL14 SPEC DRAWING	DWG NO
			DRAWN BY	DESIGNED BY	SCALE						
④			DRAWN BY	楊偉韶	DESIGNED BY	蔡劍	SCALE	2/1	PART NO	SL14-11AM(1C)NC	S0814B
③			CHECKED BY		APPROVED BY		DATE	2004.02.13			
②	2022.01.07 導入UL61058-1&ENEC15	楊偉韶	CHECKED BY		APPROVED BY		DATE	2004.02.13	PART NO	SL14-11AM(1C)NC	
①	2005.11.26 首次出圖	盧小輝	CHECKED BY		APPROVED BY		DATE	2004.02.13	PART NO	SL14-11AM(1C)NC	