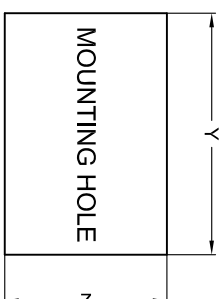
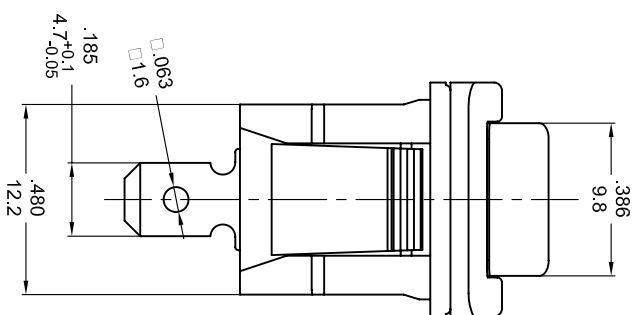
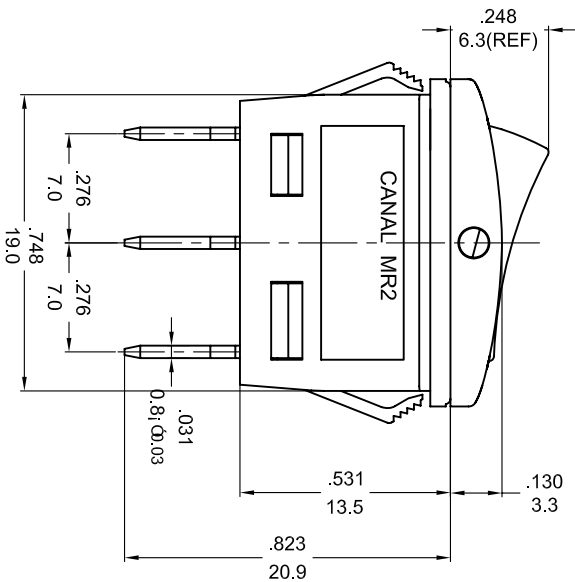


ROCKER SWITCH MODEL MR2 SERIES
 RATING:10(4)A 125/250V~T55 (cURus/ENEC15)
 DIELECTRIC VOLTAGE-WITHSTAND:1,500VAC FOR 1 MINUTE
 INSULATION RESISTANCE:DC 500V 100MΩ (MIN.)
 CONTACT RESISTANCE:20mΩ INITIAL (MAX.)
 WATERPROOF GRADE:IP68



X(PANEL THICKNESS)	Y(CUTOUT DIMENSION)	Z(CUTOUT DIMENSION)
0.75~1.25mm	19.2 ^{+0.1} ₋₀ mm	12.9 ^{+0.15} ₀ mm
1.25~2mm	19.4 ^{+0.1} ₋₀ mm	12.9 ^{+0.15} ₀ mm
2~3mm	19.8 ^{+0.1} ₋₀ mm	12.9 ^{+0.15} ₀ mm

PANEL CUTOUT DIMENSION TABLE



NOTE: TOLERANCES UNLESS OTHERWISE SPECIFIED:±.012/0.3 (in/mm)

REVISION	DESCRIPTION	REVISED BY	TOLERANCES		ANGLE	SCALE	UNIT	PART NAME	MR2 SPEC DRAWING	DWG NO
			DRAWN BY	CHECKED BY						
△			楊偉韶		蔡劍	2/1	mm			S8016A
△										
△										
△	首次出圖	楊偉韶				2020.03.11		MR2-120C2N-NBBP-29NC		