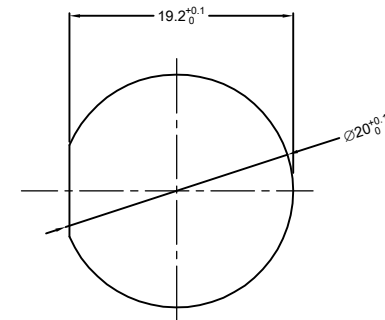
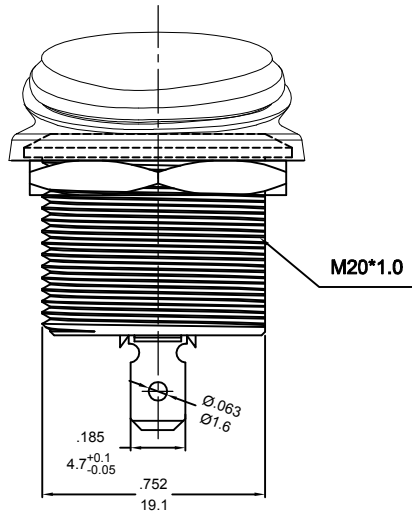
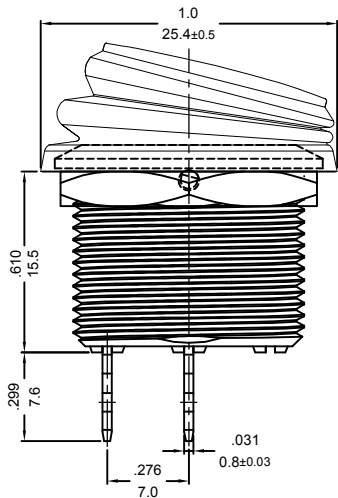
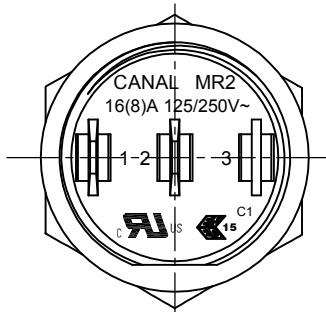


ROCKER SWITCH MODEL MR2 SERIES

RATING:16(8)A 125/250V~ (cURus/ENEC15)
 DIELECTRIC VOLTAGE-WITHSTAND:1,500VAC FOR 1 MINUTE
 INSULATION RESISTANCE:DC 500V 100MΩ (MIN.)
 CONTACT RESISTANCE:20mΩ INITIAL (MAX.)
 WATERPROOF GRADE: IP68 (ABOVE THE PANEL)



PANEL THICKNESS:1.0~3.0mm



NOTE:TOLERANCES UNLESS OTHERWISE SPECIFIED:± .012/0.3 (in/mm)

| REVISION | DESCRIPTION | REVISED BY | TOLERANCES | | ANGLE 1/2° | | UNIT | mm | PART NAME | MR2 SPEC DRAWING | DWG NO |
|----------|-------------|------------|------------|-------------|------------|--------|------------|---------|----------------------|------------------|--------|
| | | | DRAWN BY | DESIGNED BY | SCALE | S9447A | | | | | |
| △ | | | 杨伟韶 | 蔡剑 | | | 2/1 | | | | |
| △ | | | | | | | | | | | |
| △ | | | | | | | | | | | |
| △ | 首次出图 | 杨伟韶 | CHECKED BY | APPROVED BY | DATE | | 2023.08.11 | PART NO | MR2-110R2N-NBBQ-2FRC | | |