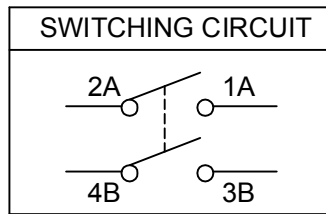
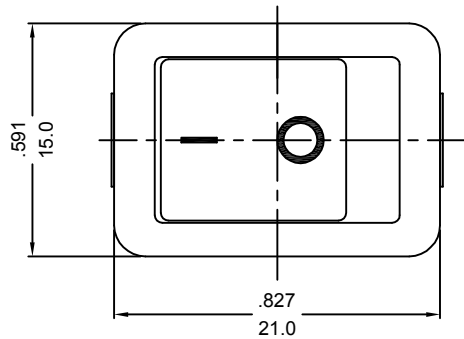


嘉尼企業股份有限公司 CANAL ELECTRONIC CO.,LTD.



ROCKER SWITCH MODEL:MR SERIES

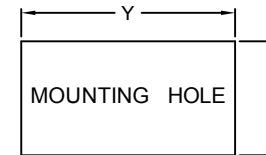
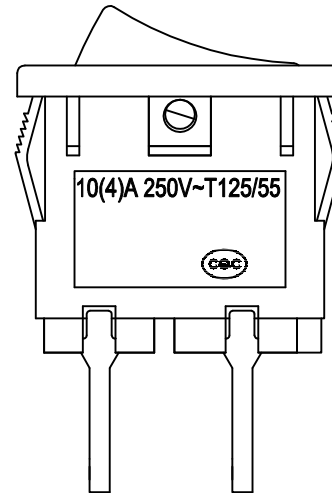
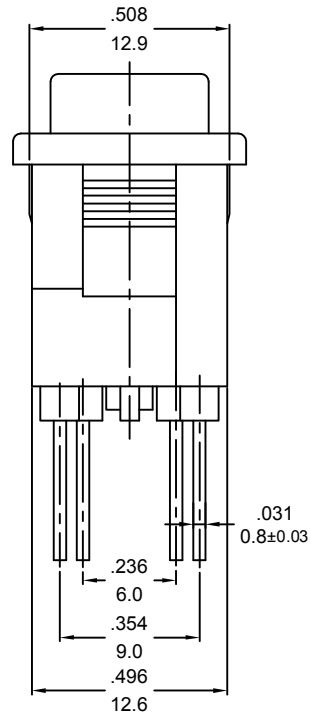
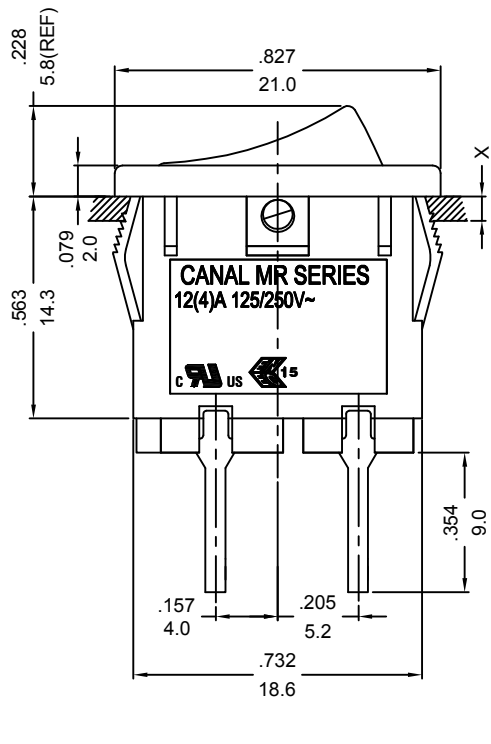
RATING:12(4)A 125/250V~ (cURus/ENEC15)

10(4)A 250V~T125/55(CQC)

DIELECTRIC WITHSTAND VOLTAGE:1500VAC FOR 1 MINUTE

INSULATION RESISTANCE:DC 500V 100MΩ (MIN)

CONTACT RESISTANCE: 20mΩ INITIAL (MAX)



X(PANEL THICKNESS)	Y(CUTOUT DIMENSION)	Z(CUTOUT DIMENSION)
0.75~1.25mm	19.2 ^{+0.1} ₋₀ mm	12.9 ^{+0.15} ₋₀ mm
1.25~2mm	19.4 ^{+0.1} ₋₀ mm	12.9 ^{+0.15} ₋₀ mm
2~3mm	19.8 ^{+0.1} ₋₀ mm	12.9 ^{+0.15} ₋₀ mm

PANEL CUTOUT DIMENSION TABLE

NOTE:TOLERANCES UNLESS OTHERWISE SPECIFIED:± .012/0.3 (in/mm)

REVISION	DESCRIPTION	REVISED BY	TOLERANCES		ANGLE 1/2°		UNIT	mm	PART NAME	DWG NO
△			DRAWN BY	杨伟韶	DESIGNED BY	蔡剑	SCALE	2/1	MR SPEC DRAWING	S9582A
△			CHECKED BY		APPROVED BY		DATE	2023.11.17	PART NO	
△	首次出图	杨伟韶							MR-212C5W-NBBB-3ANC	