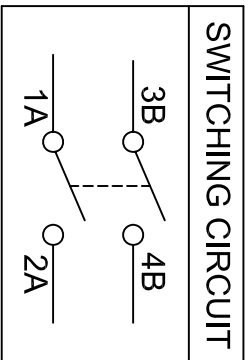
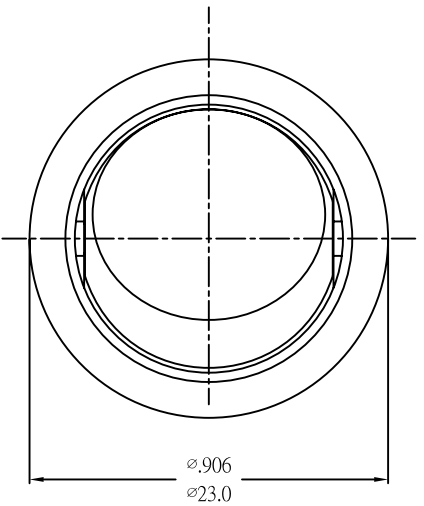
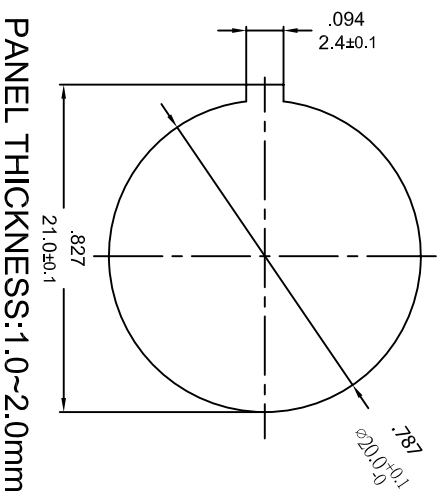
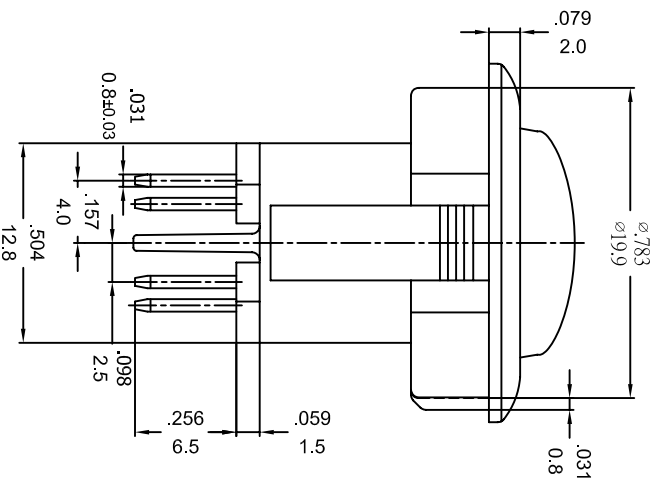
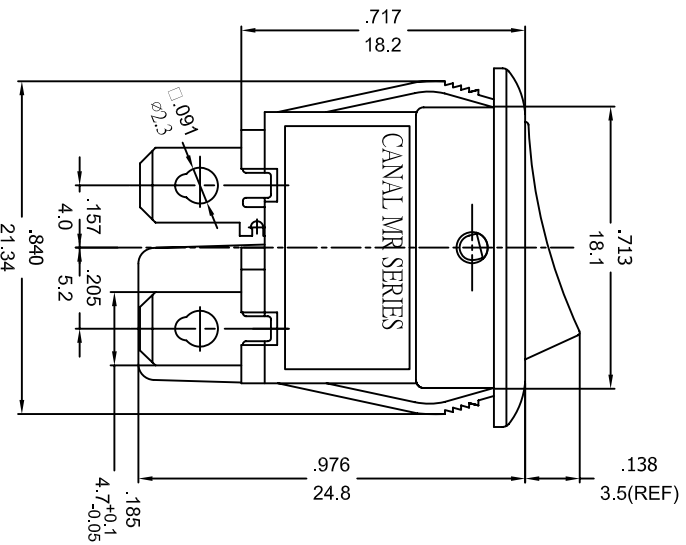


嘉尼企業股份有限公司 CANAL ELECTRONIC CO., LTD.



ROCKER SWITCH MODEL:MR SERIES
 RATING:12(4)A 125/250V~ (cURus/ENEC15)
 10(4)A 250V~T125/55(CQC)
 DIELECTRIC WITHSTAND VOLTAGE:1500VAC FOR 1 MINUTE
 INSULATION RESISTANCE:DC 500V 100M Ω (MIN.)
 CONTACT RESISTANCE: 20m Ω INITIAL (MAX.)



NOTE:TOLERANCES UNLESS OTHERWISE SPECIFIED:±.012/0.3 (In/mm)

REVISION	DESCRIPTION	REVISED BY	TOLERANCES		ANGLE $\frac{1}{2}^\circ$	SCALE	UNIT	PART NAME	MR SPEC DRAWING	DWG NO
			DRAWN BY	楊偉韶	DESIGNED BY	蔡劍	2/1			
			CHECKED BY		APPROVED BY					
△2018.09.12	首次出圖	楊偉韶					2018.09.12	MR-211R2N-NBBB-12NC		S7582A