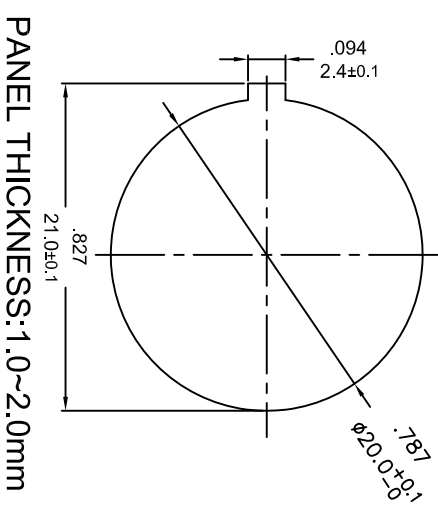
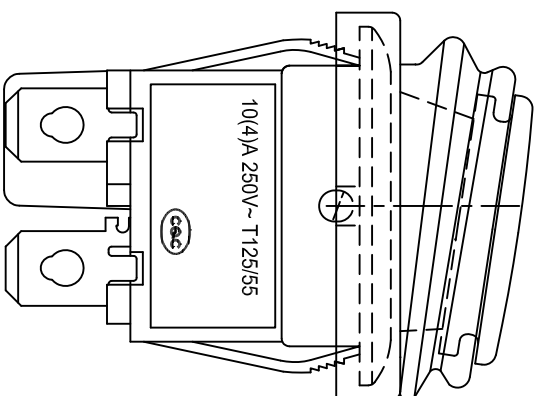
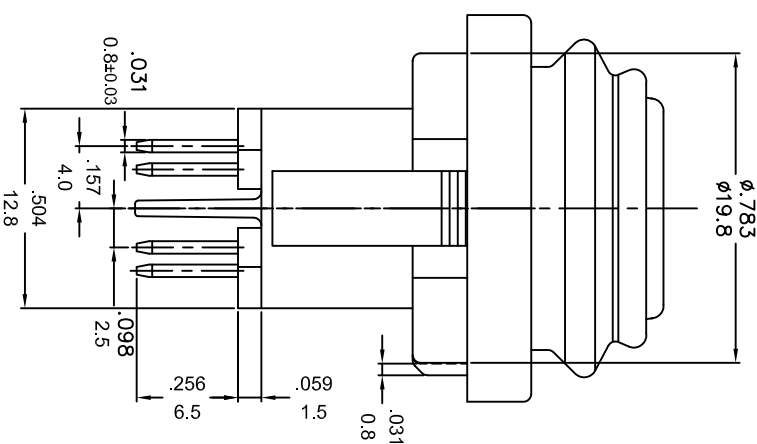
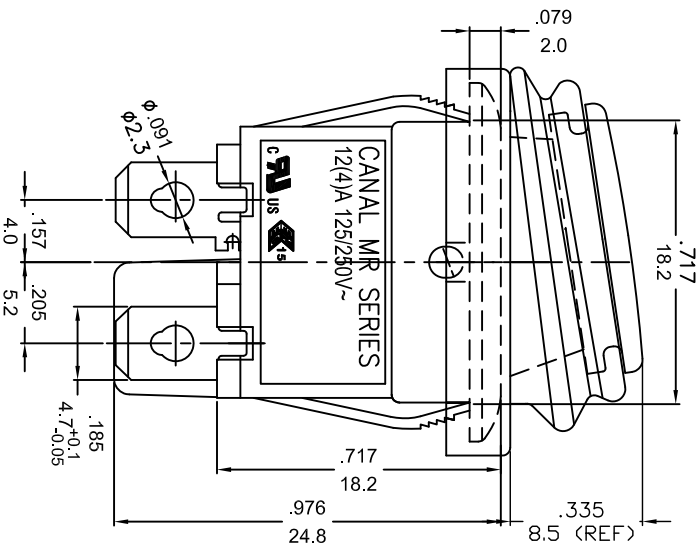


ROCKER SWITCH MODEL MR SERIES
 RATING:12(4)A 125/250V~ (cURus/ENEC15)
 10(4)A 250V~T125/55(CQC)
 DIELECTRIC WITHSTAND VOLTAGE:1500VAC FOR 1 MINUTE
 INSULATION RESISTANCE:DC 500V 100M Ω (MIN)
 CONTACT RESISTANCE: 20m Ω INITIAL (MAX)
 ILLUMINATED:200~250VAC



NOTE:TOLERANCES UNLESS OTHERWISE SPECIFIED:±.012/0.3 (In/mm)

REVISION	DESCRIPTION	REVISED BY	TOLERANCES		ANGLE	SCALE	UNIT	PART NAME	MR SPEC DRAWING	DWG NO
			DRAWN BY	DESIGNED BY			mm			
			CHECKED BY	APPROVED BY				PART NO		
△2023.09.25	首次出圖	奚康平	奚康平	郭紅海		2/1		MR-211R2N-GBRP-12GC		S9508A