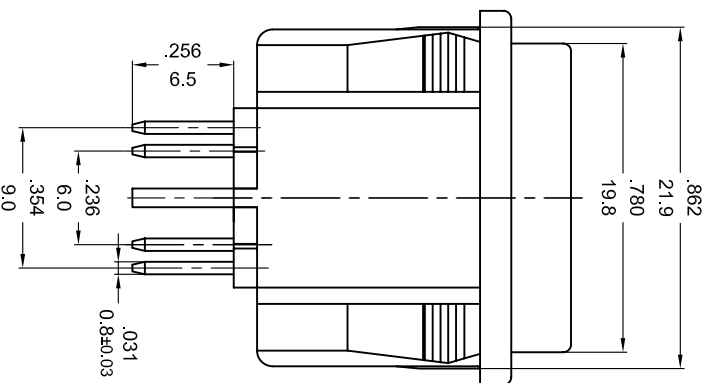
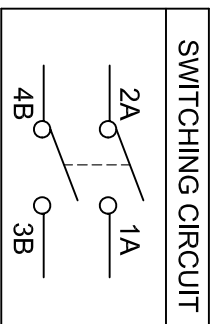
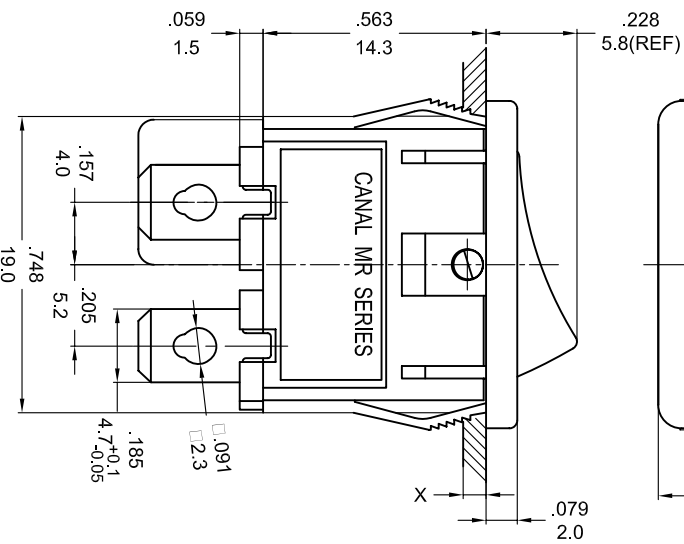
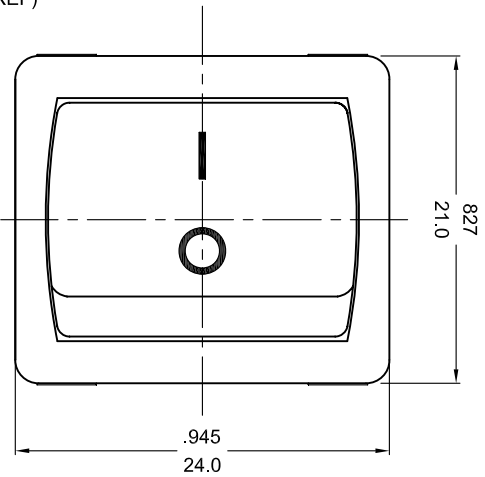
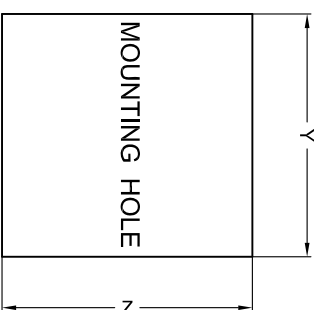


嘉尼企業股份有限公司 CANAL ELECTRONIC CO., LTD.



ROCKER SWITCH MODEL:MR SERIES
 RATING:12(4)A 125/250V~ (cURus/ENEC 15)
 10(4)A 250V~ T125/55 (CQC)
 DIELECTRIC WITHSTAND VOLTAGE:1500VAC FOR 1 MINUTE
 INSULATION RESISTANCE:500VDC 100MΩ (MIN.)
 CONTACT RESISTANCE: 20mΩ INITIAL (MAX.)



X= PANEL THICKNESS	Y	Z
0.8~1.2mm	19.2 ^{+0.1} ₋₀ mm	21.9 ^{+0.1} ₋₀ mm
1.3~2.0mm	19.4 ^{+0.1} ₋₀ mm	21.9 ^{+0.1} ₋₀ mm
2.1~3.0mm	19.8 ^{+0.1} ₋₀ mm	21.9 ^{+0.1} ₋₀ mm

PANEL CUTOUT DIMENSION TABLE

NOTE: TOLERANCES UNLESS OTHERWISE SPECIFIED: ± .012/0.3 (in/mm)

REVISION	DESCRIPTION	REVISED BY	TOLERANCES		ANGLE 1/2°	SCALE	UNIT	PART NAME	MR SPEC DRAWING	DWG NO
			DRAWN BY	CHECKED BY						
△			楊偉部		蔡劍	2/1				S7936A
△										
△										
△	首次出圖		楊偉部				2019.11.25	MR-211C5W-NBBB-1MNC		