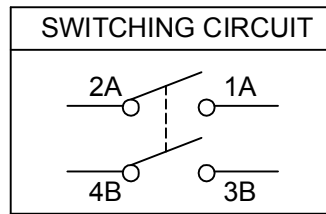
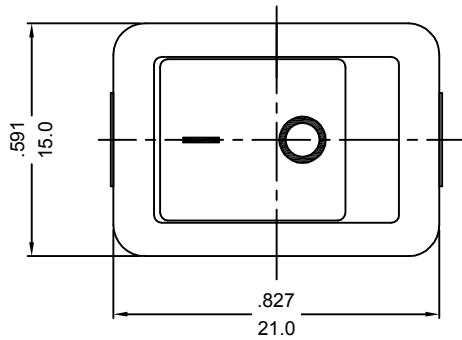


嘉尼企業股份有限公司 CANAL ELECTRONIC CO.,LTD.



ROCKER SWITCH MODEL:MR SERIES

RATING:12(4)A 125/250V~ (cURus/ENEC 15)

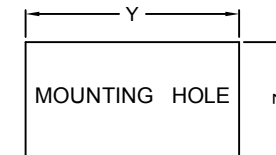
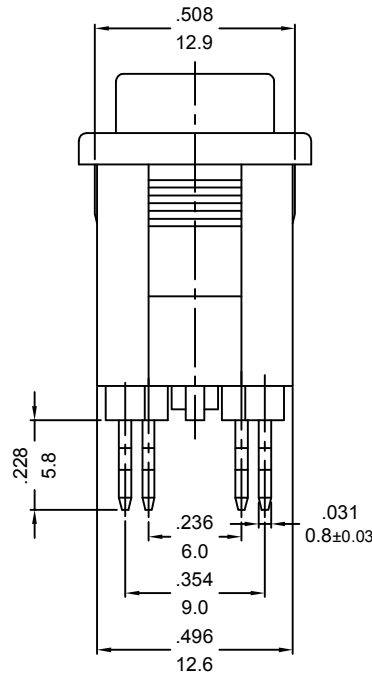
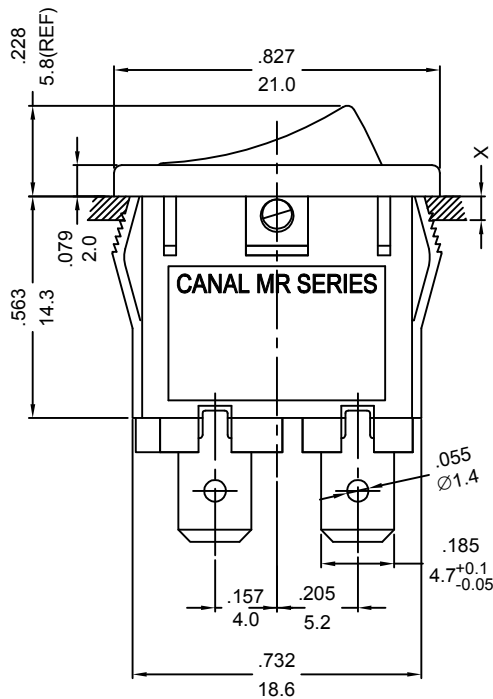
16(4)A 125/250V~ (cURus/ENEC 15)

10(4)A 250V~ T125/55 (CQC)

DIELECTRIC WITHSTAND VOLTAGE:1500VAC FOR 1 MINUTE

INSULATION RESISTANCE:500VDC 100MΩ (MIN.)

CONTACT RESISTANCE: 20mΩ INITIAL (MAX.)



X(PANEL THICKNESS)	Y(CUTOUT DIMENSION)	Z(CUTOUT DIMENSION)
0.75~1.25mm	19.2 ^{+0.1} ₋₀ mm	12.9 ^{+0.15} ₋₀ mm
1.25~2mm	19.4 ^{+0.1} ₋₀ mm	12.9 ^{+0.15} ₋₀ mm
2~3mm	19.8 ^{+0.1} ₋₀ mm	12.9 ^{+0.15} ₋₀ mm

PANEL CUTOUT DIMENSION TABLE

NOTE:TOLERANCES UNLESS OTHERWISE SPECIFIED:± .012/0.3 (in/mm)

REVISION	DESCRIPTION	REVISED BY	TOLERANCES		ANGLE 1/2°	UNIT	mm	PART NAME	DWG NO
△			DRAWN BY	杨伟韶	DESIGNED BY	蔡 剑	SCALE	2/1	MR SPEC DRAWING
△			CHECKED BY		APPROVED BY		DATE	2022.05.18	
△	首次出圖	杨伟韶					PART NO	MR-210C5W-NBBC-1ANC	S8856A