

嘉尼企業股份有限公司 CANAL ELECTRONIC CO.,LTD.

ROCKER SWITCH MODEL:MR SERIES

RATING:12(4)A 125/250V~ (cURus/ENEC 15)

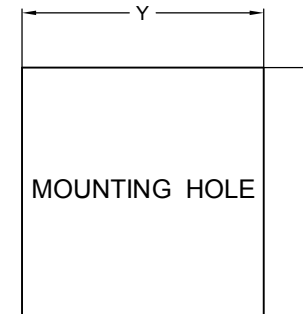
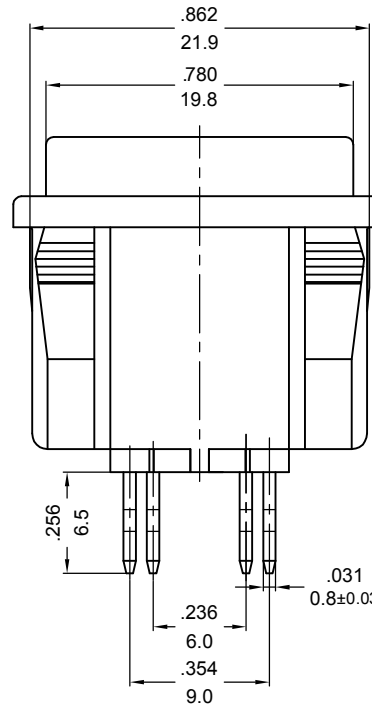
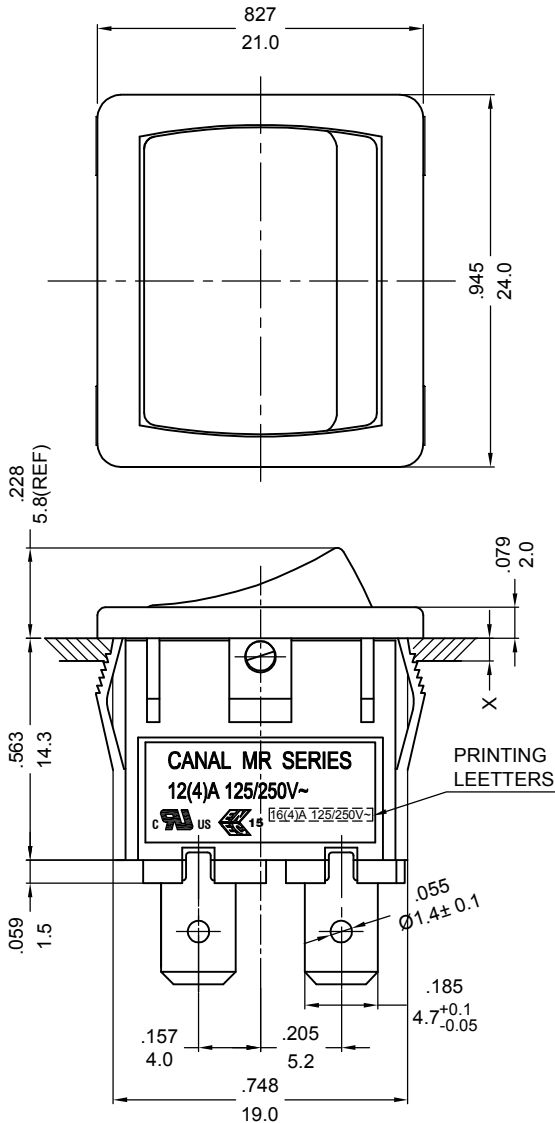
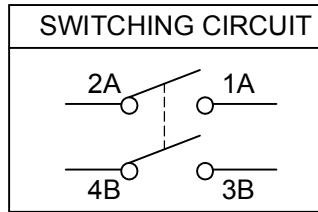
16(4)A 125/250V~ (cURus/ENEC15)

10(4)A 250V~ T125/55 (CQC)

DIELECTRIC WITHSTAND VOLTAGE:1500VAC FOR 1 MINUTE

INSULATION RESISTANCE:500VDC 100MΩ (MIN.)

CONTACT RESISTANCE: 20mΩ INITIAL (MAX.)



X=ANEL THICKNESS	Y	Z
0.8~1.2mm	19.2 ^{+0.1} ₋₀ mm	21.9 ^{+0.1} ₋₀ mm
1.3~2.0mm	19.4 ^{+0.1} ₋₀ mm	21.9 ^{+0.1} ₋₀ mm
2.1~3.0mm	19.8 ^{+0.1} ₋₀ mm	21.9 ^{+0.1} ₋₀ mm

NOTE: TOLERANCES UNLESS OTHERWISE SPECIFIED: ± .012/0.3 (in/mm)

PANEL CUTOUT DIMENSION TABLE

REVISION	DESCRIPTION	REVISED BY	TOLERANCES		ANGLE ½°		UNIT	mm	PART NAME	MR SPEC DRAWING	DWG NO
			DRAWN BY	楊偉韶	DESIGNED BY	蔡劍					
△			CHECKED BY	<i>[Signature]</i>	APPROVED BY	<i>[Signature]</i>	DATE	2022.06.02	PART NO	MR-210C2N-NBBC-1GNC	S8877A
△	2022.06.02	首次出圖		楊偉韶							