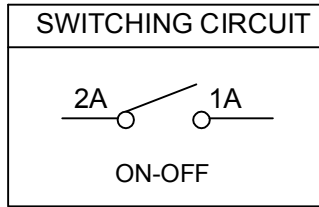
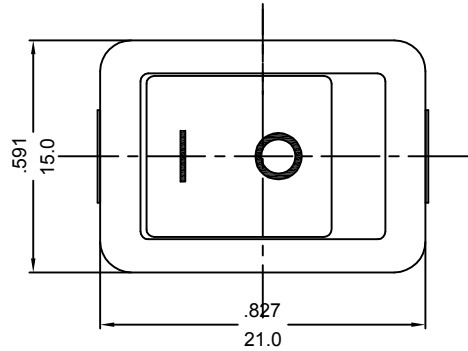


# 嘉尼企業股份有限公司 CANAL ELECTRONIC CO.,LTD.



## ROCKER SWITCH MODEL MR SERIES

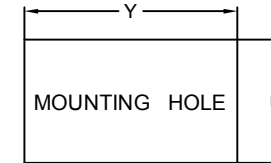
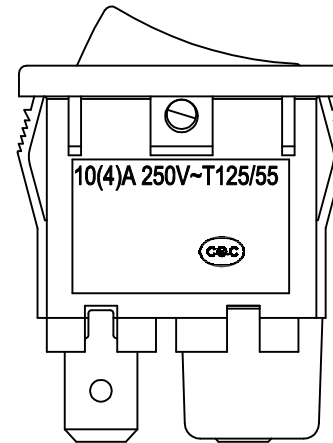
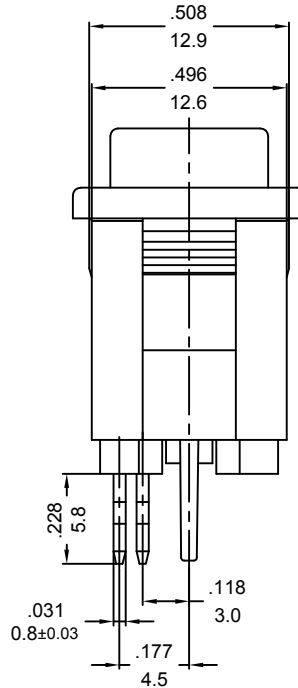
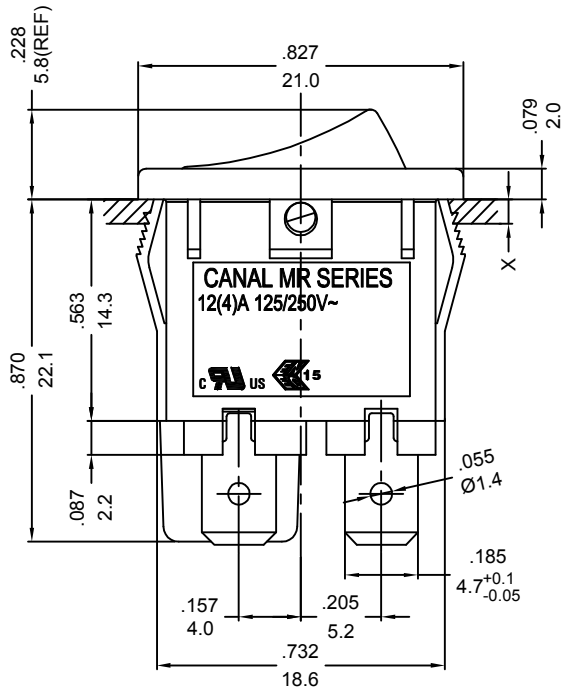
RATING:12(4)A 125/250V~ (cURus/ENEC15)

10(4)A 250V~T125/55 (CQC)

DIELECTRIC WITHSTAND VOLTAGE:1500VAC FOR 1 MINUTE

INSULATION RESISTANCE:DC 500V 100MΩ (MIN)

CONTACT RESISTANCE: 20mΩ INITIAL (MAX)



X(PANEL THICKNESS)	Y(CUTOUT DIMENSION)	Z(CUTOUT DIMENSION)
0.75~1.25mm	19.2 <sup>+0.1</sup> <sub>-0</sub> mm	12.9 <sup>+0.15</sup> <sub>-0</sub> mm
1.25~2mm	19.4 <sup>+0.1</sup> <sub>-0</sub> mm	12.9 <sup>+0.15</sup> <sub>-0</sub> mm
2~3mm	19.8 <sup>+0.1</sup> <sub>-0</sub> mm	12.9 <sup>+0.15</sup> <sub>-0</sub> mm

NOTE:TOLERANCES UNLESS OTHERWISE SPECIFIED:± .012/0.3 (in/mm)

PANEL CUTOUT DIMENSION TABLE

REVISION	DESCRIPTION	REVISED BY	TOLERANCES		ANGLE 1/2		UNIT	mm	PART NAME	MR SPEC DRAWING	DWG NO
			DRAWN BY	DESIGNED BY	SCALE						
△			楊偉韶	蔡劍		2/1					S9493A
△					DATE	2023.09.14	PART NO	MR-110C4W-NBBB-12NC			
△	首次出圖	楊偉韶									