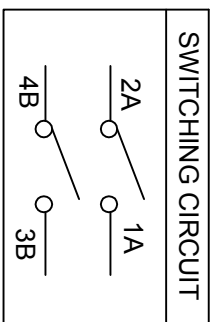
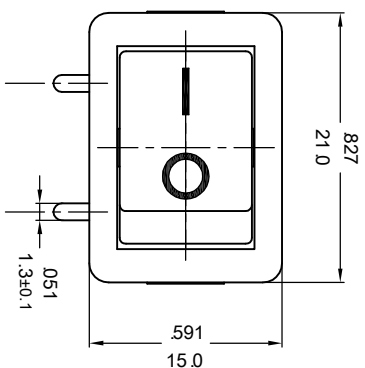
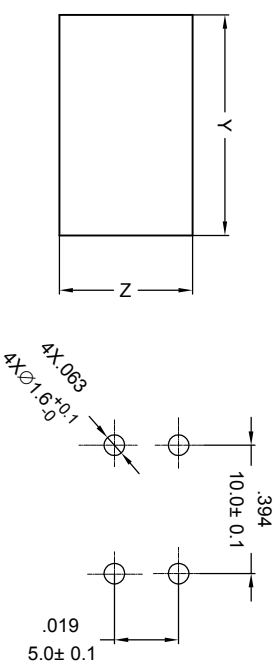
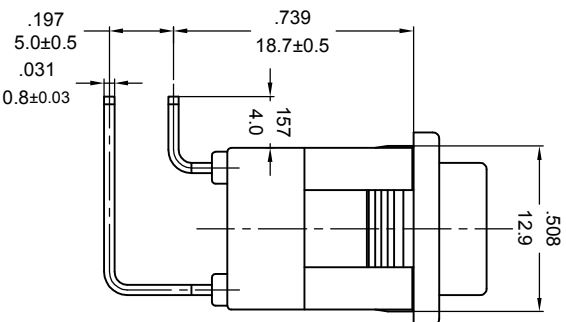
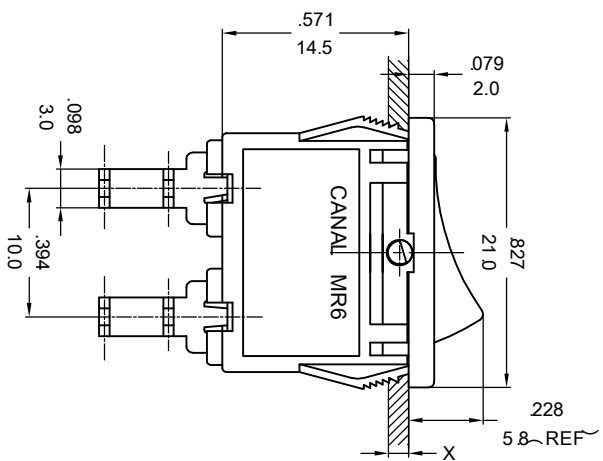


嘉尼企業股份有限公司 CANAL ELECTRONIC CO.,LTD.



ROCKER SWITCH MODEL: MR6 SERIES
 RATING: 16(8)A 125/250V~ (cURus, ENEC15)
 DIELECTRIC WITHSTAND VOLTAGE: 1500VAC 1 MINUTE
 INSULATION RESISTANCE: 500VDC 100MΩ (MIN)
 CONTACT RESISTANCE: 20mΩ INITIAL(MAX)



X(PANEL THICKNESS)	Y(CUTOUT DIMENSION)	Z(CUTOUT DIMENSION)
0.75~1.25mm	19.2 ^{+0.1} ₋₀ mm	12.9 ^{+0.15} ₋₀ mm
1.25~2mm	19.4 ^{+0.1} ₋₀ mm	12.9 ^{+0.15} ₋₀ mm
2~3mm	19.8 ^{+0.1} ₋₀ mm	12.9 ^{+0.15} ₋₀ mm

PANEL CUTOUT DIMENSION TABLE

NOTE: TOLERANCES UNLESS OTHERWISE SPECIFIED:±.012/0.3 (in/mm)

REVISION	DESCRIPTION	REVISED BY	TOLERANCES		ANGLE ½°	SCALE	UNIT	PART NAME	MR6 SPEC DRAWING	DWG NO
			DRAWN BY	CHECKED BY						
△			達志各		蔡劍	5/3	mm			S5080A
△										
△										
△	2013.02.22	依U11.058-1首次出圖	達志各							