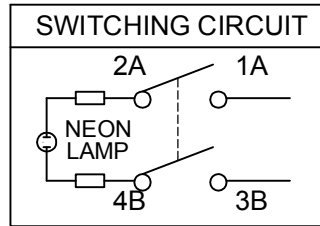
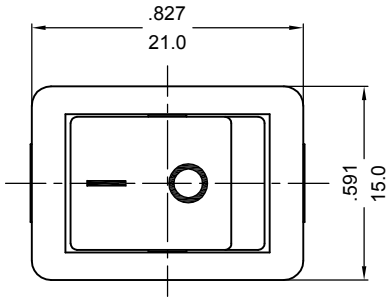
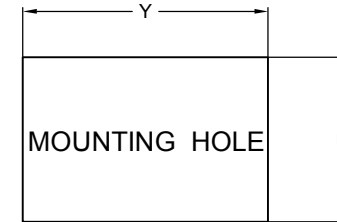
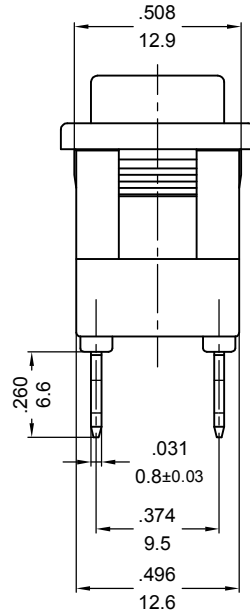
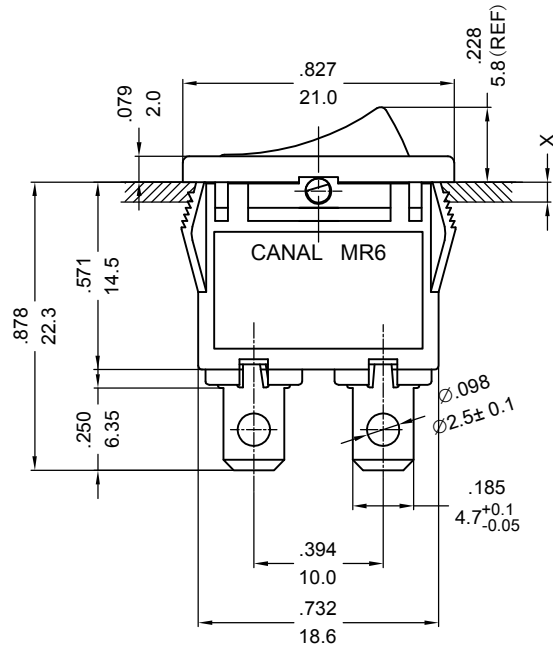


嘉尼企業股份有限公司 CANAL ELECTRONIC CO.,LTD.



SWITCHING CIRCUIT

ROCKER SWITCH MODEL: MR6 SERIES
 RATING: 16(8)A 125/250V~ (cURus,ENEC15)
 16(8)A 250V~T125/55(CQC)
 DIELECTRIC WITHSTAND VOLTAGE: 1500VAC 1 MINUTE
 INSULATION RESISTANCE:500VDC 100MΩ (MIN)
 CONTACT RESISTANCE:20mΩ INITIAL(MAX)
 ILLUMINATION: 200~250VAC



X(PANEL THICKNESS)	Y(CUTOUT DIMENSION)	Z(CUTOUT DIMENSION)
0.75~1.25mm	19.2 ^{+0.1} ₋₀ mm	12.9 ^{+0.15} ₋₀ mm
1.25~2mm	19.4 ^{+0.1} ₋₀ mm	12.9 ^{+0.15} ₋₀ mm
2~3mm	19.8 ^{+0.1} ₋₀ mm	12.9 ^{+0.15} ₋₀ mm

PANEL CUTOUT DIMENSION TABLE

NOTE:TOLERANCES UNLESS OTHERWISE SPECIFIED:± .012/0.3(in/mm)

REVISION	DESCRIPTION	REVISED BY	TOLERANCES		ANGLE 1/2°	UNIT	mm	PART NAME	DWG NO
△			DRAWN BY	达志各	DESIGNED BY	蔡 劍	SCALE	5/3	MR6 SPEC DRAWING
△			CHECKED BY		APPROVED BY		DATE	2022.06.07	
△	首次出圖。	达志各					PART NO	MR6-211C5W-GBRB-1ANC	S8885A