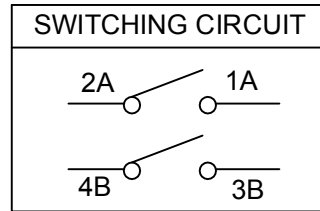
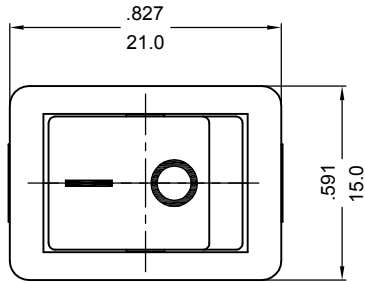


# 嘉尼企業股份有限公司 CANAL ELECTRONIC CO.,LTD.



## ROCKER SWITCH MODEL: MR6 SERIES

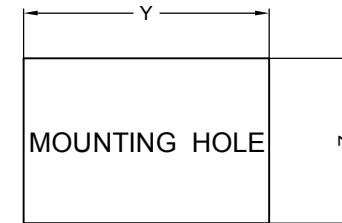
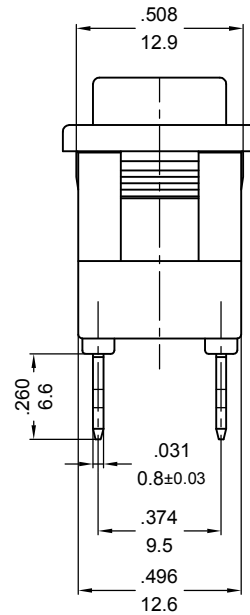
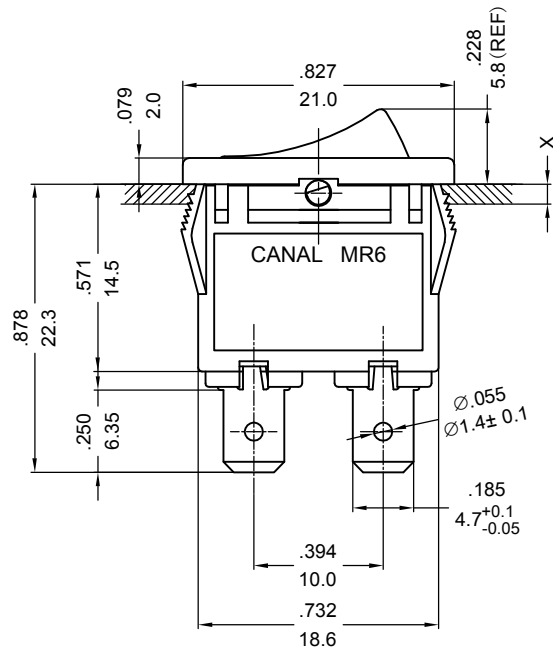
RATING: 16(8)A 125/250V~ (cURus,ENEC15 )

16(8)A 250V~T125/55 (CQC)

DIELECTRIC WITHSTAND VOLTAGE: 1500VAC 1 MINUTE

INSULATION RESISTANCE:500VDC 100MΩ (MIN)

CONTACT RESISTANCE:20mΩ INITIAL(MAX)



X(PANEL THICKNESS)	Y(CUTOUT DIMENSION)	Z(CUTOUT DIMENSION)
0.75~1.25mm	19.2 <sup>+0.1</sup> <sub>-0</sub> mm	12.9 <sup>+0.15</sup> <sub>-0</sub> mm
1.25~2mm	19.4 <sup>+0.1</sup> <sub>-0</sub> mm	12.9 <sup>+0.15</sup> <sub>-0</sub> mm
2~3mm	19.8 <sup>+0.1</sup> <sub>-0</sub> mm	12.9 <sup>+0.15</sup> <sub>-0</sub> mm

PANEL CUTOUT DIMENSION TABLE

NOTE:TOLERANCES UNLESS OTHERWISE SPECIFIED:± .012/0.3(in/mm)

REVISION	DESCRIPTION	REVISED BY	TOLERANCES		ANGLE 1/2°	SYMBOL	UNIT	mm	PART NAME	MR6 SPEC DRAWING	DWG NO
			DRAWN BY	DESIGNED BY	SCALE	S5294B					
△2016.08.04	增加CQC安規，重新出圖	謝平凡	CHECKED BY	APPROVED BY	DATE		5/3				S5294B
△2013.05.30	UL61058-1首次出圖。	謝平凡					2013.05.30	PART NO	MR6-210C5W-NBBB-1ANC		