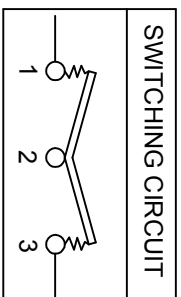
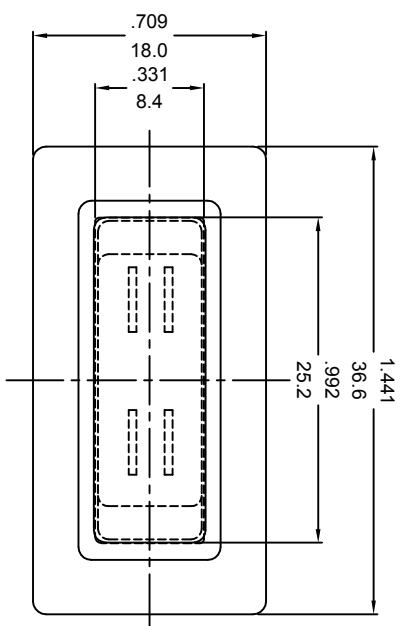
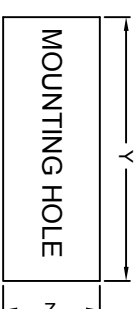
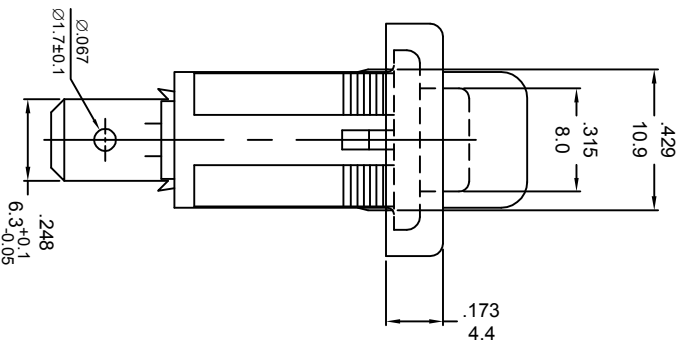
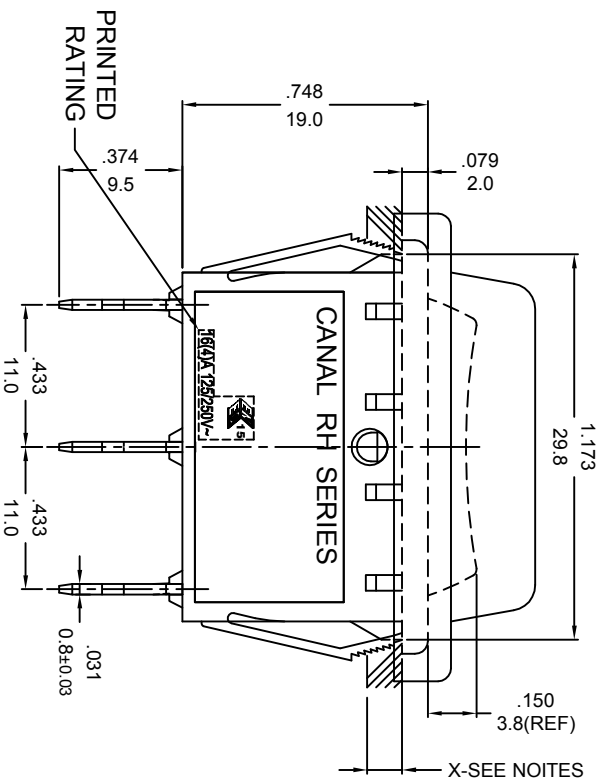


# 嘉尼企業股份有限公司 CANAL ELECTRONIC CO.,LTD.



(ON)-OFF-(ON)

ROCKER SWITCH MODEL: RH SERIES  
 RATING:16(4)A 125/250V~ (cURus/ENEC15)  
 DIELECTRIC WITHSTAND VOLTAGE:1500VAC 1 MINUTE  
 INSULATION RESISTANCE:500VDC 100MΩ (MIN)  
 CONTACT RESISTANCE:20mΩ INITIAL (MAX.)



| X=panel thickness | Dim.Y                              | Dim.Z                              |
|-------------------|------------------------------------|------------------------------------|
| 0.75 ~ 1.25 mm    | 30.0 <sup>+0.1</sup> <sub>-0</sub> | 11.0 <sup>+0.1</sup> <sub>-0</sub> |
| 1.25 ~ 2 mm       | 30.2 <sup>+0.1</sup> <sub>-0</sub> | 11.0 <sup>+0.1</sup> <sub>-0</sub> |
| 2 ~ 3 mm          | 30.5 <sup>+0.1</sup> <sub>-0</sub> | 11.0 <sup>+0.1</sup> <sub>-0</sub> |

NOTE: TOLERANCES UNLESS OTHERWISE SPECIFIED:± 0.012/0.3 (in/mm)

| REVISION    | DESCRIPTION | REVISED BY | TOLERANCES |            | ANGLE 1/2° | SCALE | UNIT       | mm                  | PART NAME | RH SPEC DRAWING | DWG NO |
|-------------|-------------|------------|------------|------------|------------|-------|------------|---------------------|-----------|-----------------|--------|
|             |             |            | DRAWN BY   | CHECKED BY |            |       |            |                     |           |                 |        |
| △2021.04.06 | 首次出圖        | 达志各        | 达志各        | 蔡剑         |            | 5/3   | 2021.04.06 | R-H60C6W-NBBA-111GC | S8412A    |                 |        |