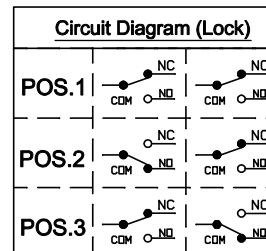
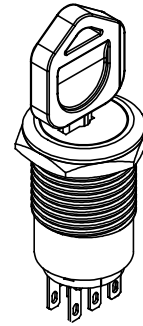


佳尼有限公司 CANAL COMPONENTS INC.

SPECIFICATION MODEL : PK SERIES

Rating: 6A 125/250V~ μ 5E4 (cURus/ENEC15)
 6A 3~48VDC μ 3E4 (cURus/ENEC15)
 Contact Resistance: 50m Ω (max.) initial
 Insulation Resistance: 100M Ω (min)
 Dielectric Strength: 500VAC for 1 minute
 Mechanical Life: 1,000,000 cycles
 Operation Force: 350g \pm 150g
 Shell Material: Stainless Steel

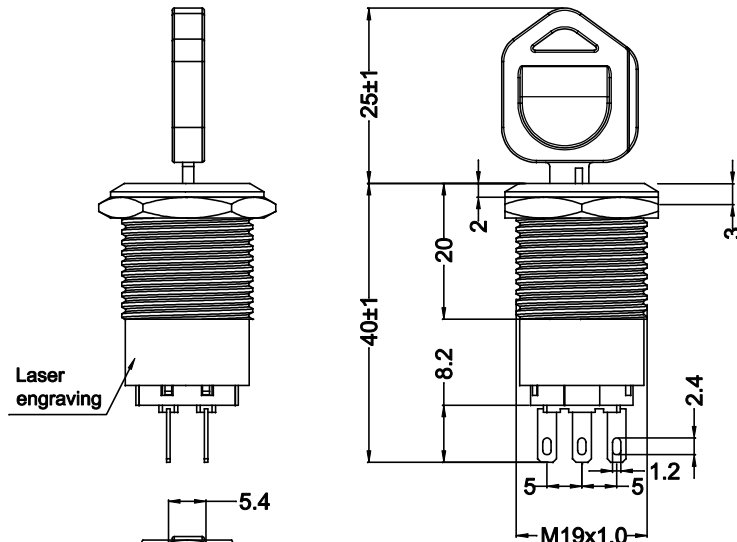
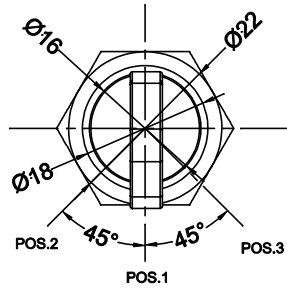


Description of LED color and voltage :

PK-19Z23YNNNSS-ANNN



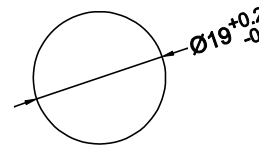
LED COLOR		LED VOLTAGE	
N	NO COLOR	N	NO ILLUMINATED
R	RED	L	AC 110V
G	GREEN	G	AC 220V
U	BULE		
W	WHITE	1	DC 2V (Red, Yellow) DC 3V (Green, Bule, White)
Y	YELLOW		
		2	DC 6V
		3	DC 12V
		4	DC 24V
		5	DC 30V
		6	DC 48V



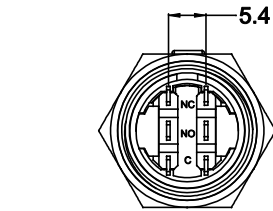
Accessories package

Silicon o-ring	Hex nuts

Accessories are not locked when shipped



Panel Cutout \varnothing 19 mm
 (Panel thickness : 14 mm MAX)



Laser engraving

CANAL PK Series 6A 125/250V~ μ 5E4 cURUS 15

NOTE: TOLERANCES UNLESS OTHERWISE SPECIFIED : \pm 0.5 (mm).

REVISION	DESCRIPTION	REVISED BY	TOLERANCES		ANGLE $\frac{1}{2}^\circ$	UNIT	mm	PART NAME	SPEC DRAWING	DWG NO
Δ			DRAWN BY	范修銓	DESIGNED BY	范修銓	SCALE	1/1	PART NO	PK-19Z23YNNNSS-ANNN
Δ			CHECKED BY	ERIC	APPROVED BY		DATE	2021.12.20		WS4829B
Δ	2023.12.04	料號變更, 原料號 PK-19Z23YNNNS-ANNN	范修銓							
Δ	2022.01.25	首次出圖	范修銓							