

1

2

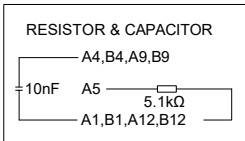
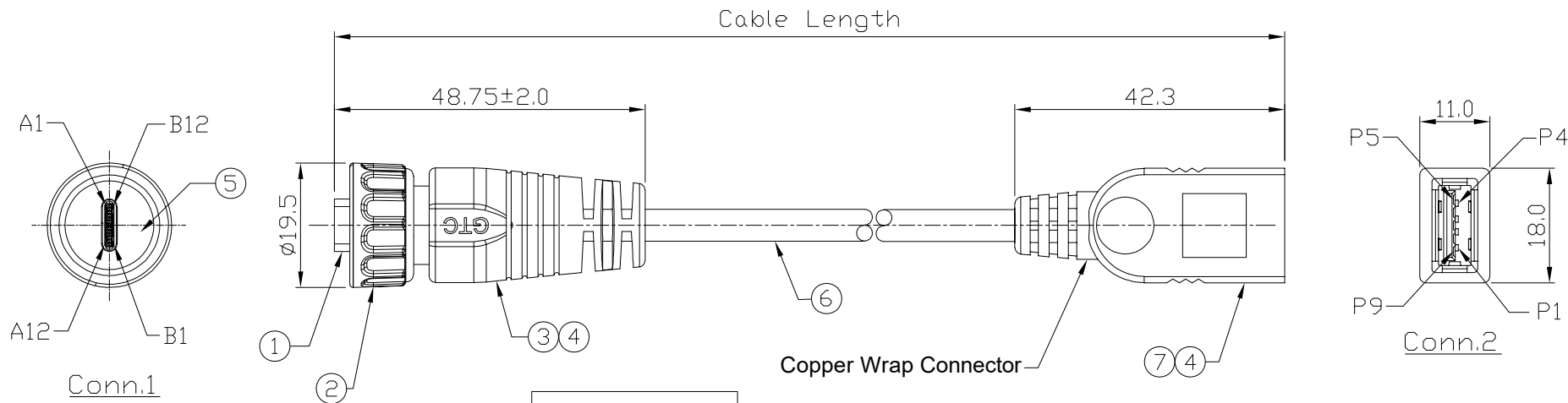
3

4

Notes: (Unless Otherwise Specified)

- 1. Waterproof Rate: IP68.
- 2. RoHS Compliant.
- 3. Type C -Pin Out Is The Same As This Drawing.
- 4. UL Certification file #E364108.

REV	ECN#	DESCRIPTION OF REVISION	DRAW BY DATE	CHECK BY DATE	APPROVE BY DATE
A0			Jenny 05/25/23	Hank 05/25/23	Lucas 05/25/23



GTC
 DOC. CENTER ISSUE
 MAY.26.2023
 ONLY FOR
 RELEASE

GT21C320-06-02	2000 mm	+100
GT21C320-06-01	1000 mm	+50
GT21C320-06-29	900 mm	+50
GT21C320-06-28	800 mm	+50
GT21C320-06-27	700 mm	+50
GT21C320-06-26	600 mm	+50
GT21C320-06-25	500 mm	+50
GT21C320-06-24	400 mm	+50
GT21C320-06-23	300 mm	+25
GT21C320-06-22	200 mm	+25
Part No.	Cable Length	Tol.

7	USB-A 3.0 Receptacle	Housing: Thermoplastic, Color: Blue Contacts: Copper Alloy, Finish: Au Plated Shell: SPCC, Finish: Au Plated	1
6	Cable	UL2725 (1P/30#*EAM)*2+(1P/30#)+(2C/24#)+AEB(AL)>65% Color: Black, OD5.0mm PVC JACKET	1
5	Rubber Pad	Silicone Color: Black	1
4	Over Mold	PVC Color: Black	2
3	Inner Mold	Theroplastic Color: Black	1
2	Screw Nut	Zn Alloy Finish: Ni Plated	1
1	USB Type C 3.1	Housing: Thermoplastic, Color: Black Contacts: Copper Alloy, Finish: Au Plated Shell: Stainless Steel, Finish: Au Plated	1
Item	Part Name	Material / Finish	Q'ty

TITLE						DRAWING NUMBER			REV.	
USB 3.1 Type C Metal C2 Cable End Plug Screw With USB-A 3.0 Receptacle						GT21C320-06-XX			A0	
DO NOT SCALE DRAWINGS	B	1:1	Jenny 05/25/23	Hank 05/25/23	Lucas 05/25/23	X.X ± 0.5	X.XXX ± 0.05	mm	1/2	
THIRD ANGLE PROJECTION	SIZE	SCALE	DRAW / DATE	CHECK / DATE	APPROVE / DATE	TOLERANCES		UNIT	SHEET	

GT Contact CO.,LTD

NOTICE OF PROPRIETARY PROPERTY:

THE INFORMATION CONTAINED HEREIN IS THE PROPRIETARY PROPERTY OF GT Contact CO.,LTD THE POSSESSOR AGREES TO THE FOLLOWING:

(i) TO MAINTAIN THIS DOCUMENT IN CONFIDENCE

(ii) NOT TO REPRODUCE OR COPY IT

(iii) NOT TO REVEAL OR PUBLISH IT IN WHOLE OR PART

(iv) ALL RIGHTS RESERVED

1

2

3

4

REV	ECN#	DESCRIPTION OF REVISION	DRAW BY DATE	CHECK BY DATE	APPROVE BY DATE
A0			Jenny 05/25/23	Hank 05/25/23	Lucas 05/25/23

***CONSTRUCTION:

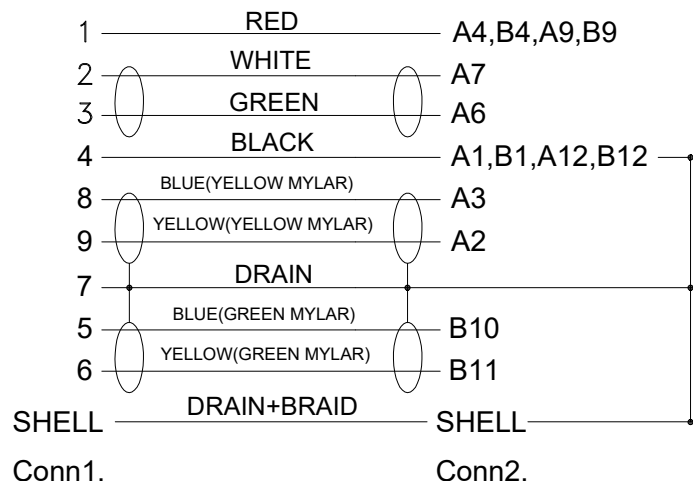
1.CABLE: * UL2725 (1P/30#+EAM)*2+(1P/30#)+(2C/24#)+AEB(AL)65% OD:5.0mm
BLACK PVC JACKET.

***CONNECTOR:

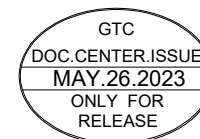
2.USB A/F: * USB A "3.0" TYPE 9PIN FEMALE SOLDER TYPE.
* PINS: 30u GOLD PLATED OVER NICKEL.
* INSULATOR: BLUE COLOR P.B.T UL 94V-0 RATED.
* SHELL: STEEL WITH GOLD FLASH.
* MOLDED: BLACK PVC 45P.

3.USB C/M: * USB TYPE C MALE SOLDER TYPE
* PINS: 30u GOLD PLATED OVER NICKEL.
* INSULATOR: BLACK THEMOPLASTIC 94V-0.
* SHELL: STEEL WITH GOLD FLASH.
* RESISTOR(5.1KΩ) AND CAPACITOR.
* MOLDED: BLACK PVC 45P .

4.TEST: * CT: 2 ohm IS: 5M ohm DC300V/0.1S.



Wiring Diagram



GT Contact CO.,LTD

NOTICE OF PROPRIETARY PROPERTY:
THE INFORMATION CONTAINED HEREIN IS THE PROPRIETARY PROPERTY OF GT Contact CO.,LTD THE POSSESSOR AGREES TO THE FOLLOWING:
(i) TO MAINTAIN THIS DOCUMENT IN CONFIDENCE
(ii) NOT TO REPRODUCE OR COPY IT
(iii) NOT TO REVEAL OR PUBLISH IT IN WHOLE OR PART
(iv) ALL RIGHTS RESERVED

TITLE						DRAWING NUMBER			REV.	
USB 3.1 Type C Metal C2 Cable End Plug Screw With USB-A 3.0 Receptacle						GT21C320-06-XX			A0	
	B	1:1	Jenny 05/25/23	Hank 05/25/23	Lucas 05/25/23	X.X ± 0.5	X.XXX ± 0.05	mm	2/2	
THIRD ANGLE PROJECTION	SIZE	SCALE	DRAW / DATE	CHECK / DATE	APPROVE / DATE	TOLERANCES		UNIT	SHEET	