

1

2

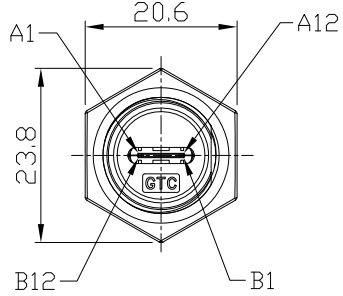
3

4

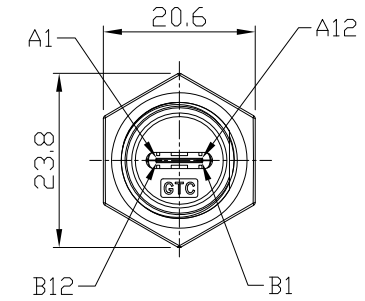
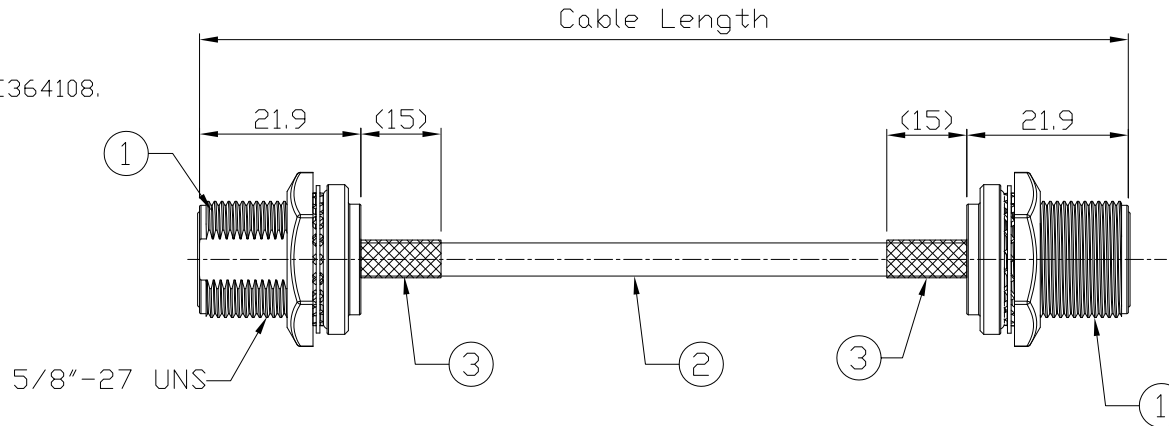
Notes: (Unless Otherwise Specified)

- 1. Waterproof Rate: IP68.
- 2. Recommend Panel Thickness: 0.8 to 6.0 mm.
- 3. Recommend Torque: 19~20 Kgf-cm.
- 4. Mating Cap P/N: GT1C5231X2/GT2C123012.
- 5. RoHS Compliant.
- 6. Type C AB面接點需跟圖面一致.
- 7. UL Certification file #E364108.

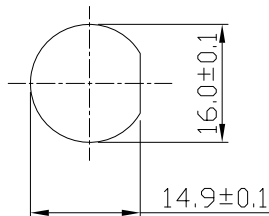
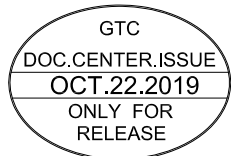
REV	ECN#	DESCRIPTION OF REVISION	DRAW BY DATE	CHECK BY DATE	APPROVE BY DATE
01			Lucas 10/22/19	Lucas 10/22/19	Ray 10/22/19



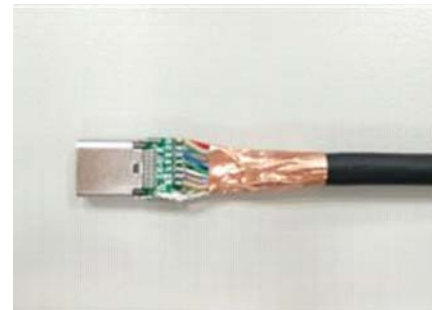
Conn1.



Conn2.



Front View Recommend Panel Cut-Out



編織需跟雙面導電銅箔導通跟PCB板距離4~5mm

GT21C300-0M-02	2000 mm	+100
GT21C300-0M-01	1000 mm	+50
GT21C300-0M-Z9	900 mm	+50
GT21C300-0M-Z8	800 mm	+50
GT21C300-0M-Z7	700 mm	+50
GT21C300-0M-Z6	600 mm	+50
GT21C300-0M-Z5	500 mm	+50
GT21C300-0M-Z4	400 mm	+50
GT21C300-0M-Z3	300 mm	+25
GT21C300-0M-Z2	200 mm	+25
GT21C300-0M-Z1	100 mm	+25
Part No.	Cable Length	Tol.

Item	Part Name	Material / Finish	Q'ty
3	Shrink Tube	L=20mm, Heat Shrink Tube With Adhesive Lined Color: Black	2
2	Cable	UL21572 (1P/32#+EAM)*4+(1P/32#+A)+(4C/32#+)(1C/24#+)+2EAB 85% DD:4.8mm BLACK TPE JACKET.	1
1	USB 3.1 Type C Metal C2 Panel Jack Screw	GT Contact P/N: GT21C300-03-XX	2

TITLE						DRAWING NUMBER			REV.	
USB 3.1 Type C Metal C2 Panel Twin-head Jack Screw With Cable						GT21C300-0M-XX			01	
THIRD ANGLE PROJECTION	SIZE	SCALE	DRAW / DATE	CHECK / DATE	APPROVE / DATE	TOLERANCES		UNIT	SHEET	
	B	1:1	Lucas 10/22/19	Lucas 10/22/19	Ray 10/22/19	X.X ± 0.5 X.XX ± 0.2	X.XXX ± 0.05 ANGLES ± 1°	mm	1/2	

GT Contact CO.,LTD

NOTICE OF PROPRIETARY PROPERTY:
THE INFORMATION CONTAINED HEREIN IS THE PROPRIETARY PROPERTY OF GT Contact CO.,LTD THE POSSESSOR AGREES TO THE FOLLOWING:
(i) TO MAINTAIN THIS DOCUMENT IN CONFIDENCE
(ii) NOT TO REPRODUCE OR COPY IT
(iii) NOT TO REVEAL OR PUBLISH IT IN WHOLE OR PART
(iv) ALL RIGHTS RESERVED

1

2

3

4

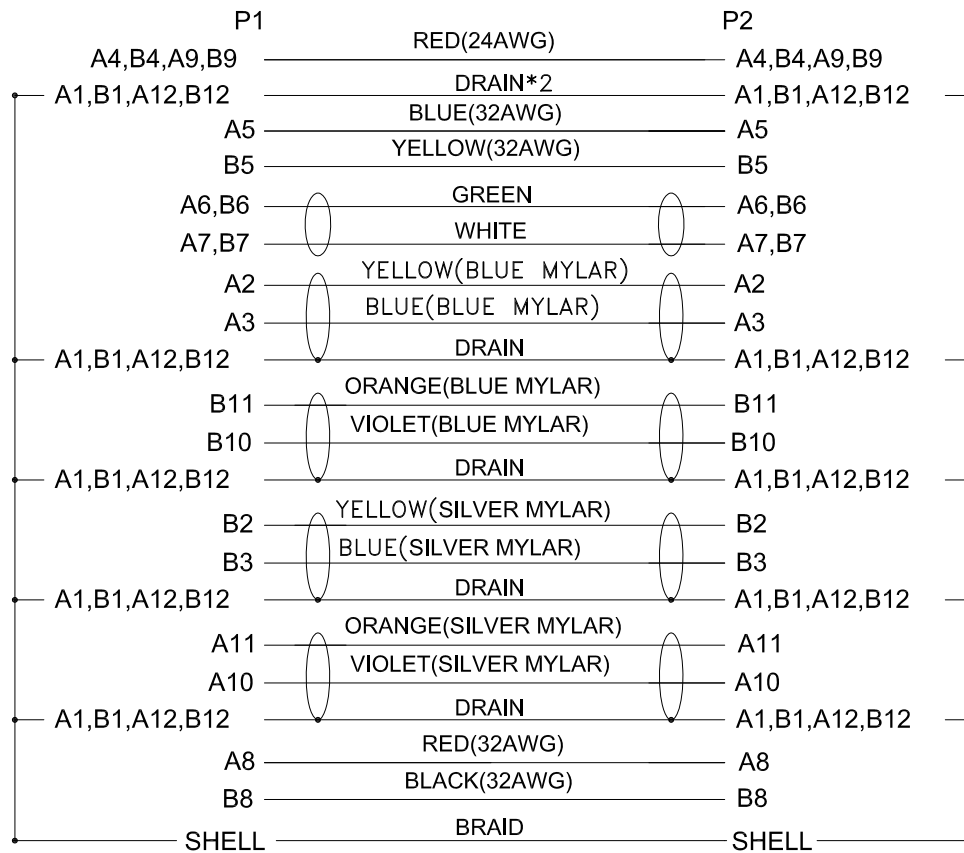
1

2

3

4

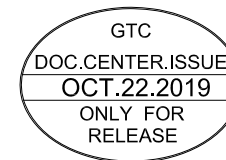
REV	ECN#	DESCRIPTION OF REVISION	DRAW BY DATE	CHECK BY DATE	APPROVE BY DATE
01			Lucas 10/22/19	Lucas 10/22/19	Ray 10/22/19



Conn1.

Conn2.

Wiring Diagram



GT Contact CO.,LTD

NOTICE OF PROPRIETARY PROPERTY:
 THE INFORMATION CONTAINED HEREIN IS THE PROPRIETARY PROPERTY OF GT Contact CO.,LTD THE POSSESSOR AGREES TO THE FOLLOWING:
 (i) TO MAINTAIN THIS DOCUMENT IN CONFIDENCE
 (ii) NOT TO REPRODUCE OR COPY IT
 (iii) NOT TO REVEAL OR PUBLISH IT IN WHOLE OR PART
 (iv) ALL RIGHTS RESERVED

TITLE						DRAWING NUMBER			REV.
USB 3.1 Type C Metal C2 Panel Twin-head Jack Screw With Cable						GT21C300-0M-XX			01
	B	1:1	Lucas 10/22/19	Lucas 10/22/19	Ray 10/22/19	X.X ± 0.5 X.XX ± 0.2	X.XXX ± 0.05 ANGLES ± 1°	mm	2/2
THIRD ANGLE PROJECTION	SIZE	SCALE	DRAW / DATE	CHECK / DATE	APPROVE / DATE	TOLERANCES		UNIT	SHEET

1

2

3

4