

1

2

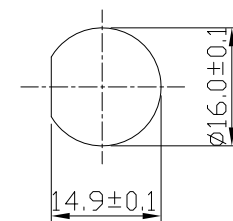
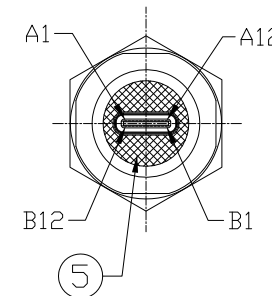
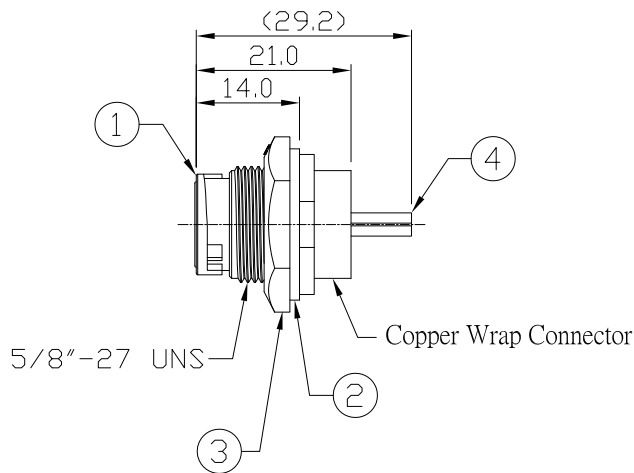
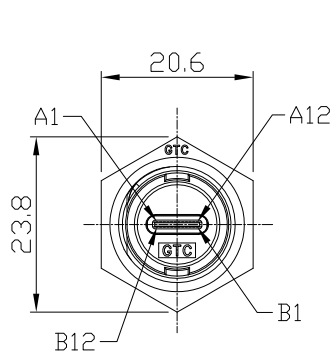
3

4

Notes: (Unless Otherwise Specified)

- 1. Waterproof Rate: IP67.
- 2. Recommend Panel Thickness: 0.8 to 3.0 mm.
- 3. Recommend Torque: 9~10 Kgf-cm.
- 4. Mating Cap P/N: GT1C1210X2.
- 5. RoHS Compliant.
- 6. Type C -Pin out is the same as this drawing
- 7. UL Certification file #E364108.

REV	ECN#	DESCRIPTION OF REVISION	DRAW BY DATE	CHECK BY DATE	APPROVE BY DATE
A0			Lucas 04/27/22	Lucas 04/27/22	Ray 04/27/22



Recommend Panel Cut-Out



Item	Part Name	Material / Finish	Q'ty
5	Glue	Epoxy Color: Black	
4	USB Type C 3.1	Housing: Thermoplastic, Color: Black	2
		Contacts: Copper Alloy, Finish: Au Plated	
		Shell: Stainless Steel, Finish: Au Plated	
3	Hex Nut	Thermoplastic Color: Black	1
2	Gasket	Silicone Color: Black	1
1	Housing	Thermoplastic Color: Black	1

TITLE						DRAWING NUMBER			REV.
USB 3.1 Type C Plastic C2 Panel Jack Lock Coupler						GT11C200-30			A0
	B	1:1	Lucas 04/27/22	Lucas 04/27/22	Ray 04/27/22	X.X ± 0.5 X.XX ± 0.2	X.XXX ± 0.05 ANGLES ± 1°	mm	1/1
THIRD ANGLE PROJECTION	SIZE	SCALE	DRAW / DATE	CHECK / DATE	APPROVE / DATE	TOLERANCES		UNIT	SHEET

GT Contact CO.,LTD

NOTICE OF PROPRIETARY PROPERTY:

THE INFORMATION CONTAINED HEREIN IS THE PROPRIETARY PROPERTY OF GT Contact CO.,LTD THE POSSESSOR AGREES TO THE FOLLOWING:

(a) TO MAINTAIN THIS DOCUMENT IN CONFIDENCE
 (b) NOT TO REPRODUCE OR COPY IT
 (c) NOT TO REVEAL OR PUBLISH IT IN WHOLE OR PART
 (d) ALL RIGHTS RESERVED

1

2

3

4