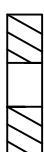
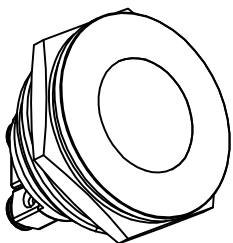
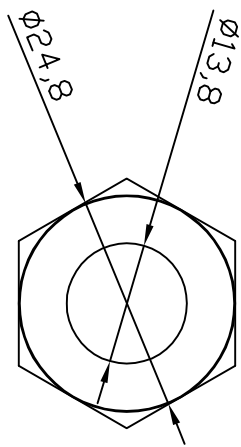
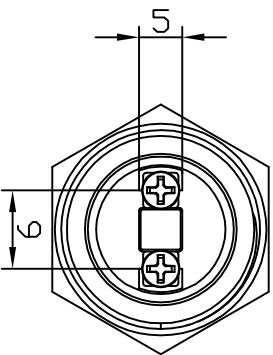
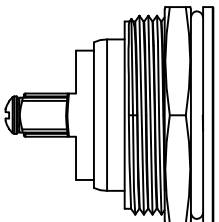
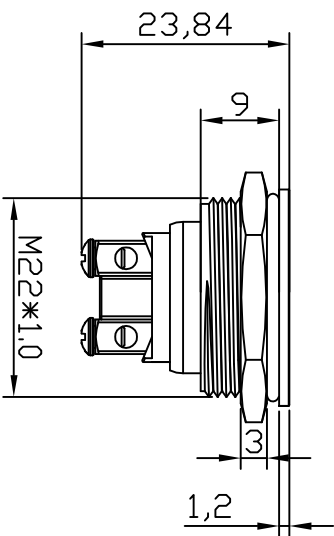


嘉尼企業股份有限公司 CANAL ELECTRONIC CO.,LTD.



Panel thickness : 4mm MAX



NOTE:TOLERANCES UNLESS OTHERWISE SPECIFIED: ± 0.5mm

REVISION	DESCRIPTION	REVISED BY	TOLERANCES		ANGLE	SCALE	UNIT	DATE	PART NO	AD SPEC DRAWING	DWG NO
			DRAWN BY	CHECKED BY							
△			蔡宁燕		蔡剑	2/1	2023.12.12	AD22SF-10G3V		WS1585A	
△											
△											
△											
△											

2023.12.12 首次出圖 蔡宁燕