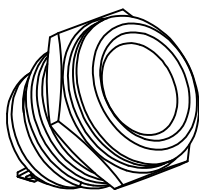
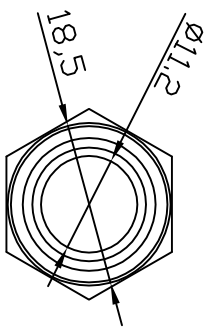
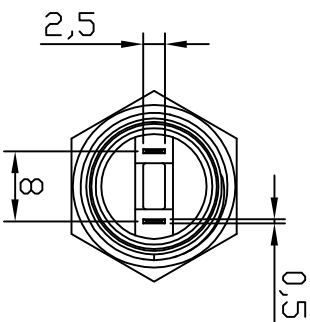
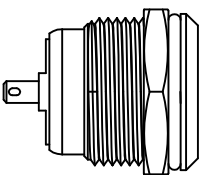
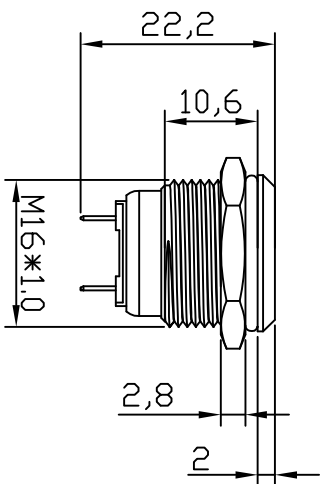


嘉尼企業股份有限公司 CANAL ELECTRONIC CO.,LTD.



Panel thickness: : 6mm MAX



NOTE:TOLERANCES UNLESS OTHERWISE SPECIFI ED: ± 0.5mm

Name	M16 Metal Indicator
Shell Material	Brass
Mounting size	16mm
IP Level	IP65
Operatng Temperature	-40~+85°C
Illumination Color	RED
Illumination Life	40000 Hours
Illumination Voltage	3V

REVISION	DESCRIPTION	REVISED BY	TOLERANCES		ANGLE	SCALE	UNIT	PART NAME	AD SPEC DRAWING	DWG NO
			DRAWN BY	CHECKED BY						
△			蔡宁燕			2/1				WS1581A
△										
△										
△	2023.12.12	首次出圖	蔡宁燕			2023.12.12	AD16NC-2UR3V			