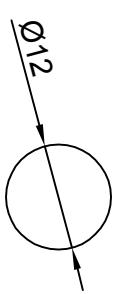
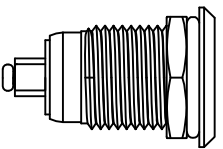
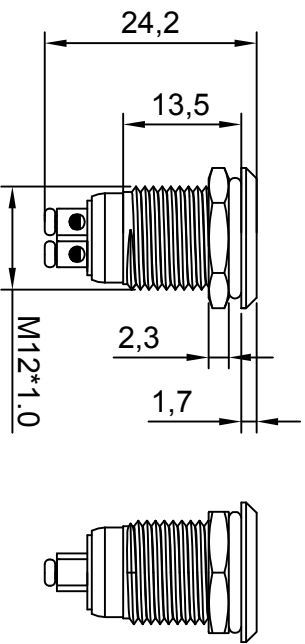
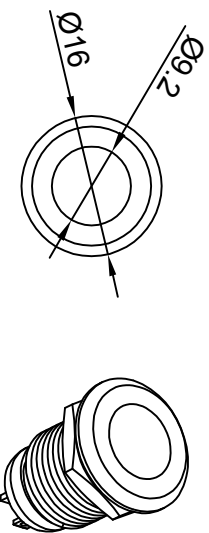




Panel thickness: : 8mm MAX



Recommended mounting size: φ 12+0.5mm



NOTE: TOLERANCES UNLESS OTHERWISE SPECIFIED: ± 0.5mm

REVISION	DESCRIPTION	REVISED BY	TOLERANCES			ANGLE $\frac{1}{2}^\circ$	SCALE	UNIT	PART NAME	AD SPEC DRAWING	DWG NO
			DRAWN BY	CHECKED BY	DESIGNED BY						
▲			蔡宁燕	<i>[Signature]</i>	蔡剑	2/1	2023.12.12	AD12NF-10Y6.3V	WS1579A		
▲											
▲											
▲	2023.12.12	首次出圖	蔡宁燕	<i>[Signature]</i>							