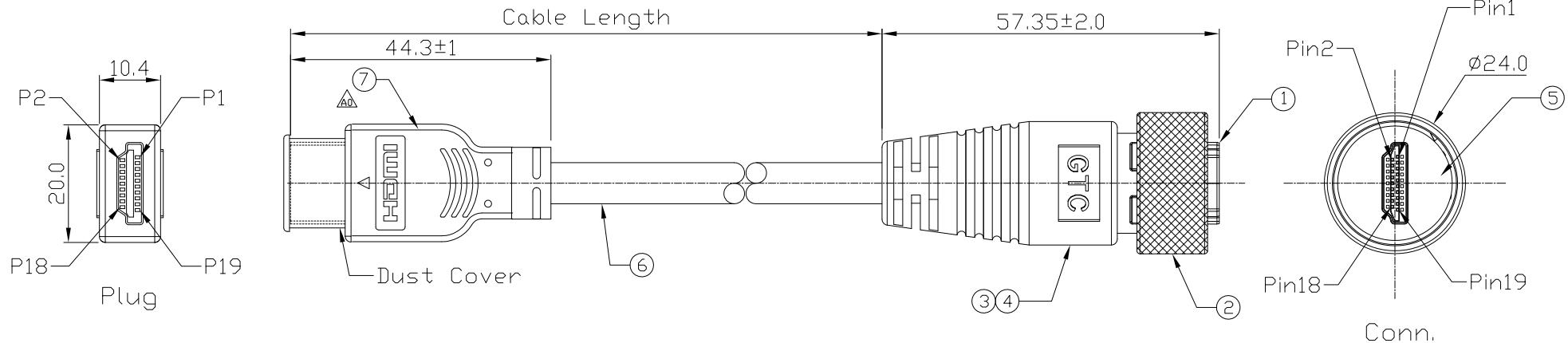


Notes: (Unless Otherwise Specified)

- 1. Waterproof Rate: IP68.
- 2. RoHS Compliant.

REV	ECN#	DESCRIPTION OF REVISION	DRAW BY DATE	CHECK BY DATE	APPROVE BY DATE
A0	ECN-211102	Change Molded	Aileen 11/10/21	Lucas 11/10/21	Ray 11/10/21



GTC  
DOC.CENTER.ISSUE  
NOV.15.2021  
ONLY FOR  
RELEASE

Item	Part Name	Material / Finish	Q'ty
7	HDMI Male	HDMI 19P Male IDC Type Color: Black	1
6	Cable	UL20276 [(28#/1PR+EAM)*5+(28#/4C)]+AB85% Color: Black, OD=7.3mm	1
5	Rubber Pad	Silicone Color: Black	1
4	Over Mold	PVC Color: Black	1
3	Inner Mold	Thermoplastic Color: Black	1
2	Metal Screw Nut	Copper Alloy Finish: Ni Plated	1
1	HDMI Plug	Housing: Thermoplastic, Color: Black Contacts: Copper Alloy, Finish: Au Plated Shell: Copper Alloy, Finish: Au Plated	1

Plug			Conn.		
1	White	1	10	White	10
2	Drain	2	11	Drain	11
3	Brown	3	12	Blue	12
4	White	4	13	Red	13
5	Drain	5	15	White	15
6	Red	6	16	Purple	16
7	White	7	18	Black	18
8	Drain	8	14	White	14
9	Green	9	17	Drain	17
			19	Orange	19
			Shell	Braid	Shell

Wiring Diagram

Part No.	Cable Length	Tol.
GT2H2320-02-05	5000 mm	+150
GT2H2320-02-04	4000 mm	+150
GT2H2320-02-03	3000 mm	+150
GT2H2320-02-02	2000 mm	+100
GT2H2320-02-01	1000 mm	+50
GT2H2320-02-Z9	900 mm	+50
GT2H2320-02-Z8	800 mm	+50
GT2H2320-02-Z7	700 mm	+50
GT2H2320-02-Z6	600 mm	+50
GT2H2320-02-Z5	500 mm	+50
GT2H2320-02-Z4	400 mm	+50
GT2H2320-02-Z3	300 mm	+25
GT2H2320-02-Z2	200 mm	+25

GT Contact CO.,LTD

NOTICE OF PROPRIETARY PROPERTY:  
THE INFORMATION CONTAINED HEREIN IS THE PROPRIETARY PROPERTY OF GT Contact CO.,LTD THE POSSESSOR AGREES TO THE FOLLOWING:  
(A) TO MAINTAIN THIS DOCUMENT IN CONFIDENCE  
(B) NOT TO REPRODUCE OR COPY IT  
(C) NOT TO REVEAL OR PUBLISH IT IN WHOLE OR PART  
(D) ALL RIGHTS RESERVED

TITLE						DRAWING NUMBER			REV.	
HDMI C3 Metal Cable End Plug Screw With HDMI Plug						GT2H2320-02-XX			A0	
THIRD ANGLE PROJECTION	SIZE	SCALE	DRAW / DATE	CHECK / DATE	APPROVE / DATE	X.X ± 0.5 X.XX ± 0.2	X.XXX ± 0.05 ANGLES ± 1°	mm	1/1	
DD NOT SCALE DRAWINGS			Lucas 03/07/16	Lucas 03/07/16	Ray 03/07/16	TOLERANCES		UNIT	SHEET	