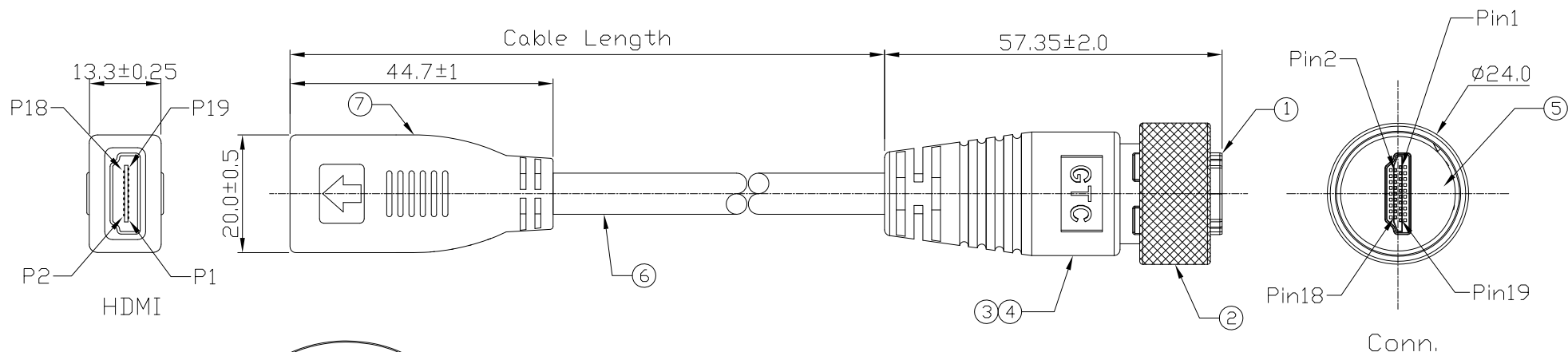


Notes: (Unless Otherwise Specified)

1. Waterproof Rate: IP68.
2. RoHS Compliant.

REV	ECN#	DESCRIPTION OF REVISION	DRAW BY DATE	CHECK BY DATE	APPROVE BY DATE
02	ECN-191205	Change Cable (REV: 1.3 => REV: 1.4)	Whitney 12/13/19	Lucas 12/13/19	Ray 12/13/19



GTC
DOC.CENTER.ISSUE
DEC.19.2019
ONLY FOR
RELEASE

HDMI		Conn.		HDMI		Conn.	
1	White	1	White	10	White	10	White
2	Drain	2	Drain	11	Drain	11	Drain
3	Brown	3	Blue	12	Blue	12	Blue
4	White	4	Red	13	Red	13	Red
5	Drain	5	White	15	White	15	White
6	Red	6	Purple	16	Purple	16	Purple
7	White	7	Black	18	Black	18	Black
8	Drain	8	White	14	White	14	White
9	Green	9	Drain	17	Drain	17	Drain
			Orange	19	Orange	19	Orange
			Braid	Shell	Braid	Shell	Braid

Wiring Diagram

GT2H2320-01-05	5000 mm	+150
GT2H2320-01-04	4000 mm	+150
GT2H2320-01-03	3000 mm	+150
GT2H2320-01-02	2000 mm	+100
GT2H2320-01-01	1000 mm	+50
GT2H2320-01-Z9	900 mm	+50
GT2H2320-01-Z8	800 mm	+50
GT2H2320-01-Z7	700 mm	+50
GT2H2320-01-Z6	600 mm	+50
GT2H2320-01-Z5	500 mm	+50
GT2H2320-01-Z4	400 mm	+50
GT2H2320-01-Z3	300 mm	+25
GT2H2320-01-Z2	200 mm	+25
Part No.	Cable Length	Tol.

Item	Part Name	Material / Finish	Q'ty
7	HDMI Female	HDMI 19P Female IDC Type Color: Black	1
6	Cable	UL20276 [(28#/1PR+EAM)*5+(28#/4C)]+AB85% Color: Black, OD=7.3mm	1
5	Rubber Pad	Silicone Color: Black	1
4	Over Mold	PVC Color: Black	1
3	Inner Mold	Thermoplastic Color: Black	1
2	Metal Screw Nut	Copper Alloy Finish: Ni Plated	1
1	HDMI Plug	Housing: Thermoplastic, Color: Black Contacts: Copper Alloy, Finish: Au Plated Shell: Copper Alloy, Finish: Au Plated	1

GT Contact CO.,LTD

NOTICE OF PROPRIETARY PROPERTY:
THE INFORMATION CONTAINED HEREIN IS THE PROPRIETARY PROPERTY OF GT CONTACT CO.,LTD THE POSSESSOR AGREES TO THE FOLLOWING:
(a) TO MAINTAIN THIS DOCUMENT IN CONFIDENCE
(b) NOT TO REPRODUCE OR COPY IT
(c) NOT TO REVEAL OR PUBLISH IT IN WHOLE OR PART
(d) ALL RIGHTS RESERVED

TITLE						DRAWING NUMBER			REV.	
HDMI C3 Metal Cable End Plug Screw With HDMI Receptacle						GT2H2320-01-XX			02	
THIRD ANGLE PROJECTION	SIZE	SCALE	DRAW / DATE	CHECK / DATE	APPROVE / DATE	X.X ± 0.5 X.XX ± 0.2	X.XXX ± 0.05 ANGLES ± 1°	mm	1/1	
						TOLERANCES		UNIT	SHEET	