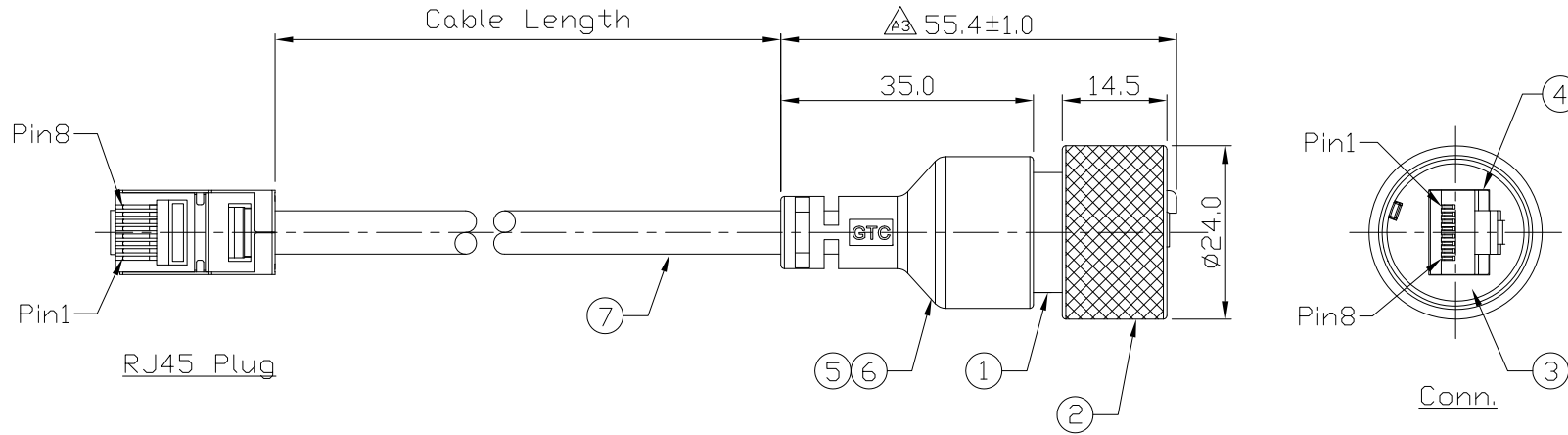


Notes: (Unless Otherwise Specified)
 1. Waterproof Rate: IP68.
 2. RoHS Compliant.

REV	ECN#	DESCRIPTION OF REVISION	DRAW BY DATE	CHECK BY DATE	APPROVE BY DATE
A3	ECN-221105	Modify 54±1.0mm → 55.4±1.0mm	Jenny 11/15/22	Lucas 11/15/22	Ray 11/15/22



GTC
 DOC.CENTER.ISSUE
 NOV.16.2022
 ONLY FOR
 RELEASE

GT225320-06-90	90000 mm	±500
GT225320-06-30	30000 mm	±500
GT225320-06-25	25000 mm	±500
GT225320-06-20	20000 mm	±500
GT225320-06-15	15000 mm	±500
GT225320-06-10	10000 mm	±500
GT225320-06-09	9000 mm	±450
GT225320-06-08	8000 mm	±400
GT225320-06-07	7000 mm	±350
GT225320-06-06	6000 mm	±300
GT225320-06-05	5000 mm	±250
GT225320-06-04	4000 mm	±200
GT225320-06-03	3000 mm	±150
GT225320-06-02	2000 mm	±100
GT225320-06-01	1000 mm	±50
GT225320-06-29	900 mm	±40
GT225320-06-28	800 mm	±40
GT225320-06-27	700 mm	±20
GT225320-06-26	600 mm	±40
GT225320-06-25	500 mm	±40
GT225320-06-24	400 mm	±20
GT225320-06-23	300 mm	±10
GT225320-06-22	200 mm	±10
Part No.	Cable Length	Tol.



Item	Part Name	Material / Finish	Q'ty
7	Cable	CAT5E 24AWG*4P+ALMy+D(UV) Color: Black, OD=6.0mm	1
6	Over Mold	PVC Color: Black	1
5	Inner Mold	Thermoplastic Color: White Or Black	1
4	RJ45 Plug	Housing: Thermoplastic, Color: Clear Contacts: Copper Alloy, Finish: Au Plated Shell: Cold Roll Steel, Finish: Ni Plated	2
3	Rubber Pad	Silicone Color: Black	1
2	Screw Nut	Copper Alloy Finish: Ni Plated	1
1	Housing	Thermoplastic Color: Black	1

Wiring Diagram

TITLE						DRAWING NUMBER			REV.	
RJ45 Metal C3 Shielding Cable End Plug Screw With RJ45 Plug						GT225320-06-XX			A3	
DD NOT SCALE DRAWINGS	B	1:1	Vicky 08/20/10	Ray 08/20/10	Ray 08/20/10	X.X ± 0.5 X.XX ± 0.2	X.XXX ± 0.05 ANGLES ± 1°	mm	1/1	
THIRD ANGLE PROJECTION	SIZE	SCALE	DRAW / DATE	CHECK / DATE	APPROVE / DATE	TOLERANCES		UNIT	SHEET	

GT Contact CO.,LTD

NOTICE OF PROPRIETARY PROPERTY:
 THE INFORMATION CONTAINED HEREIN IS THE PROPRIETARY PROPERTY OF GT Contact CO.,LTD THE POSSESSOR AGREES TO THE FOLLOWING:
 (A) TO MAINTAIN THIS DOCUMENT IN CONFIDENCE
 (B) NOT TO REPRODUCE OR COPY IT
 (C) NOT TO REVEAL OR PUBLISH IT IN WHOLE OR PART
 (D) ALL RIGHTS RESERVED