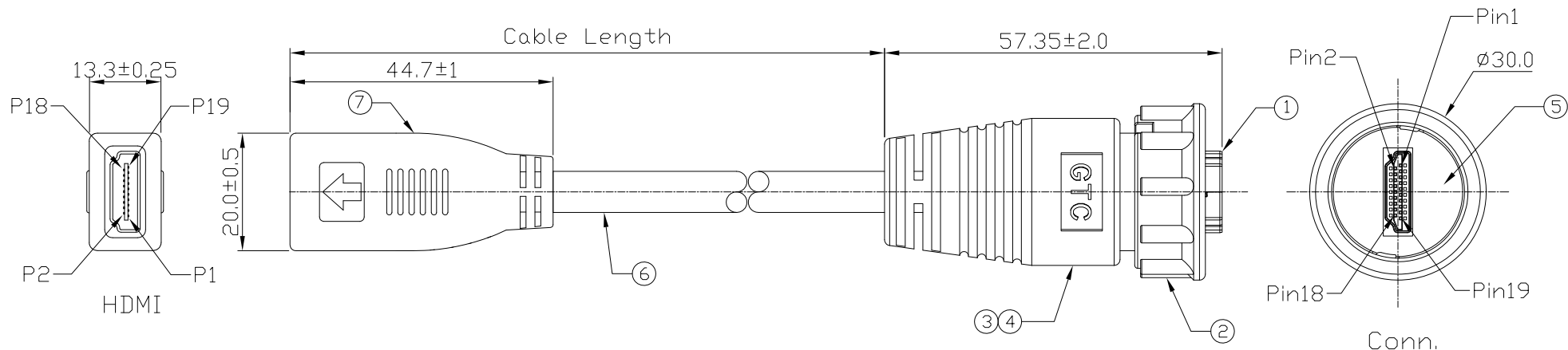


Notes: (Unless Otherwise Specified)

1. Waterproof Rate: IP67.
2. RoHS Compliant.

REV	ECN#	DESCRIPTION OF REVISION	DRAW BY DATE	CHECK BY DATE	APPROVE BY DATE
02	ECN-191205	Change Cable (REV: 1.3 => REV: 1.4)	Whitney 12/13/19	Lucas 12/13/19	Ray 12/13/19



Item	Part Name	Material / Finish	Qty
7	HDMI Female	HDMI 19P Female IDC Type Color: Black	1
6	Cable	UL20276 [(28#/1PR+EAM)*5+(28#/4C)]+AB85% Color: Black, OD=7.3mm	1
5	Rubber Pad	Silicone Color: Black	1
4	Over Mold	PVC Color: Black	1
3	Inner Mold	Thermoplastic Color: Black	1
2	Lock Nut	Thermoplastic Color: Black	1
1	HDMI Plug	Housing: Thermoplastic, Color: Black Contacts: Copper Alloy, Finish: Au Plated Shell: Copper Alloy, Finish: Au Plated	1

HDMI				Conn.			
1	White	1	10	White	10		
2	Drain	2	11	Drain	11		
3	Brown	3	12	Blue	12		
4	White	4	13	Red	13		
5	Drain	5	15	White	15		
6	Red	6	16	Purple	16		
7	White	7	18	Black	18		
8	Drain	8	14	White	14		
9	Green	9	17	Drain	17		
			19	Orange	19		
			Shell	Braid	Shell		

Wiring Diagram

Part No.	Cable Length	Tol.
GT1H1220-01-05	5000 mm	±150
GT1H1220-01-04	4000 mm	±150
GT1H1220-01-03	3000 mm	±150
GT1H1220-01-02	2000 mm	±100
GT1H1220-01-01	1000 mm	±50
GT1H1220-01-Z9	900 mm	±40
GT1H1220-01-Z8	800 mm	±40
GT1H1220-01-Z7	700 mm	±40
GT1H1220-01-Z6	600 mm	±40
GT1H1220-01-Z5	500 mm	±40
GT1H1220-01-Z4	400 mm	±20
GT1H1220-01-Z3	300 mm	±20
GT1H1220-01-Z2	200 mm	±10

TITLE						DRAWING NUMBER			REV.	
HDMI C4 Plastic Cable End Plug Lock With HDMI Receptacle						GT1H1220-01-XX			02	
THIRD ANGLE PROJECTION	SIZE	SCALE	DRAW / DATE	CHECK / DATE	APPROVE / DATE	X.X ± 0.5 X.XX ± 0.2	X.XXX ± 0.05 ANGLES ± 1°	mm	1/1	
	B	1:1	Lucas 07/07/15	Lucas 07/07/15	Ray 07/07/15	TOLERANCES		UNIT	SHEET	

GT Contact CO.,LTD

NOTICE OF PROPRIETARY PROPERTY:
THE INFORMATION CONTAINED HEREIN IS THE PROPRIETARY PROPERTY OF GT CONTACT CO.,LTD THE POSSESSOR AGREES TO THE FOLLOWING:
(A) TO MAINTAIN THIS DOCUMENT IN CONFIDENCE
(B) NOT TO REPRODUCE OR COPY IT
(C) NOT TO REVEAL OR PUBLISH IT IN WHOLE OR PART
(D) ALL RIGHTS RESERVED