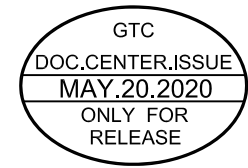
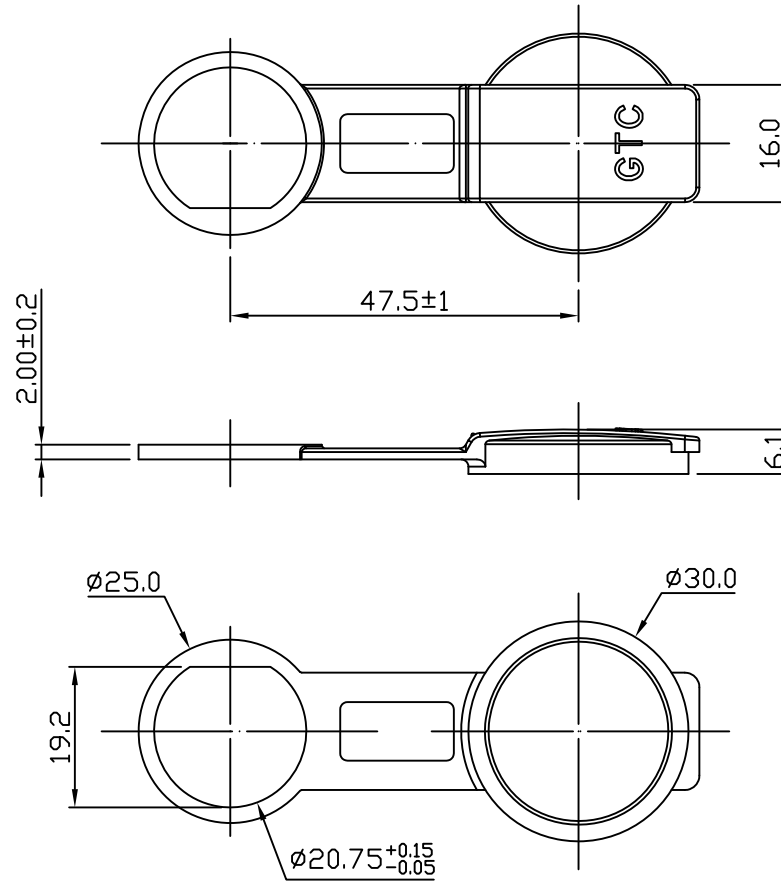


Notes: (Unless Otherwise Specified)

- △ A0 1. WaterProof Rate : IP67
- 2. RoHS Compliant.

REV	ECN#	DESCRIPTION OF REVISION	DRAW BY DATE	CHECK BY DATE	APPROVE BY DATE
A0	ECN-200508	Modify Notes No.1 IP65 --> IP67	Hank 05/20/20	Lucas 05/20/20	Ray 05/20/20



Item	Part Name	Material / Finish	Q'ty
1	Rubber Cap	EPDM Color: Black	1

TITLE						DRAWING NUMBER			REV.	
Cap Rubber for 5A 2 Contacts Panel Solder						GT1C930002			A0	
	B	1:1	Hank 04/08/20	Lucas 04/08/20	Ray 04/08/20	X.X ± 0.5 X.XX ± 0.15	ANGLES ± 2°	mm	1/1	
THIRD ANGLE PROJECTION	SIZE	SCALE	DRAW / DATE	CHECK / DATE	APPROVE / DATE	TOLERANCES		UNIT	SHEET	

GT Contact CO.,LTD

NOTICE OF PROPRIETARY PROPERTY:
 THE INFORMATION CONTAINED HEREIN IS THE PROPRIETARY PROPERTY OF GT Contact CO.,LTD THE POSSESSOR AGREES TO THE FOLLOWING:
 (1) TO MAINTAIN THIS DOCUMENT IN CONFIDENCE
 (2) NOT TO REPRODUCE OR COPY IT
 (3) NOT TO REVEAL OR PUBLISH IT IN WHOLE OR PART
 (4) ALL RIGHTS RESERVED