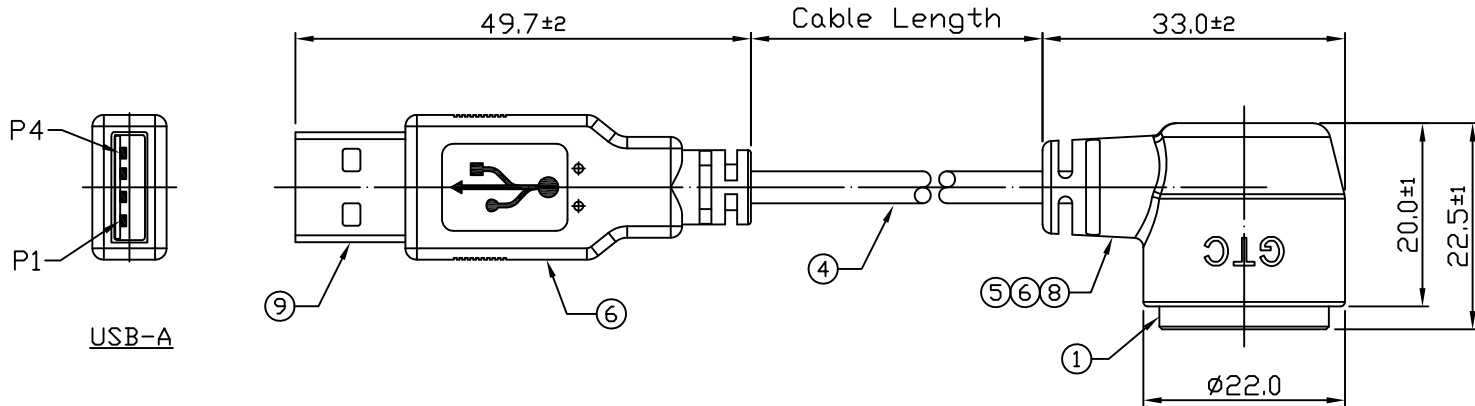


Notes: (Unless Otherwise Specified)

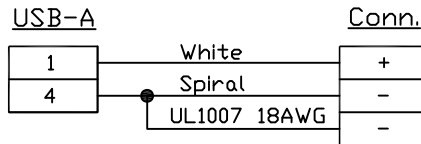
1. RoHS Compliant.

REV	ECN#	DESCRIPTION OF REVISION	DRAW BY DATE	CHECK BY DATE	APPROVE BY DATE
02	ECN-200123	△02 Modify Item No.7 Steel Sheet Material SUS --> SUS430	Hank 01/30/20	Lucas 01/30/20	Ray 01/30/20

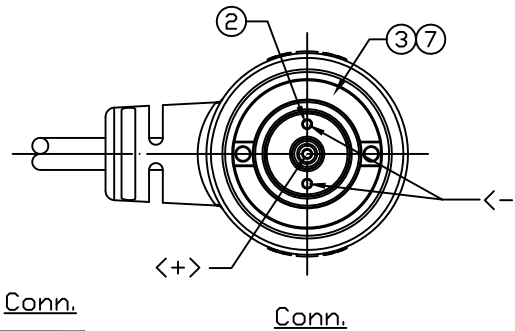


9	USB-A Plug	Housing: Thermoplastic, Color: Black Contacts: Copper Alloy, Finish: Au Plated Shell: Cold Roll Steel, Finish: Ni Plated	1
8	Wire	UL1007 18AWG Color: Black	1
7	Steel Sheet	SUS430 Finish: -	2
6	Over Mold	PVC Color: Black	2
5	Inner Mold	Thermoplastic Color: White or Black	1
4	Cable	UL1185 18AWG*1C+Spiral ØD=3.5mm, Color: Black	1
3	Magnet	Nd-Fe-B N50 Finish: Ni	2
2	Contacts	Copper Alloy Finish: Au Plated	3
1	Housing	Thermoplastic Color: Black	1
Item	Part Name	Material / Finish	Q'ty

△02



Wiring Diagram



GT193119-02022-10	10000mm	+500
GT193119-02022-09	9000mm	+450
GT193119-02022-08	8000mm	+400
GT193119-02022-07	7000mm	+150
GT193119-02022-06	6000mm	+150
GT193119-02022-05	5000mm	+150
GT193119-02022-04	4000mm	+150
GT193119-02022-03	3000mm	+100
GT193119-02022-02	2000mm	+100
GT193119-02022-01	1000mm	+50
GT193119-02022-Z9	900mm	+50
GT193119-02022-Z8	800mm	+50
GT193119-02022-Z7	700mm	+50
GT193119-02022-Z6	600mm	+50
GT193119-02022-Z5	500mm	+50
GT193119-02022-Z4	400mm	+50
GT193119-02022-Z3	300mm	+25
GT193119-02022-Z2	200mm	+25
Part No.	Cable Length	Tol.

GT Contact CO.,LTD

NOTICE OF PROPRIETARY PROPERTY:

THE INFORMATION CONTAINED HEREIN IS THE PROPRIETARY PROPERTY OF GT CONTACT CO.,LTD THE POSSESSOR AGREES TO THE FOLLOWING:
 (1) TO MAINTAIN THIS DOCUMENT IN CONFIDENCE
 (2) NOT TO REPRODUCE OR COPY IT
 (3) NOT TO REVEAL OR PUBLISH IT IN WHOLE OR PART
 (4) ALL RIGHTS RESERVED

TITLE						DRAWING NUMBER			REV.	
5A 2 Contacts Cable End 90° With Cable + USB-A Plug						GT193119-02022-XX			02	
	B	1:1	Hank 08/30/19	Lucas 08/30/19	Ray 08/30/19	X.X ± 0.5	X.XXX ± 0.05	mm	1/1	
THIRD ANGLE PROJECTION	SIZE	SCALE	DRAW / DATE	CHECK / DATE	APPROVE / DATE	TOLERANCES		UNIT	SHEET	