

1

2

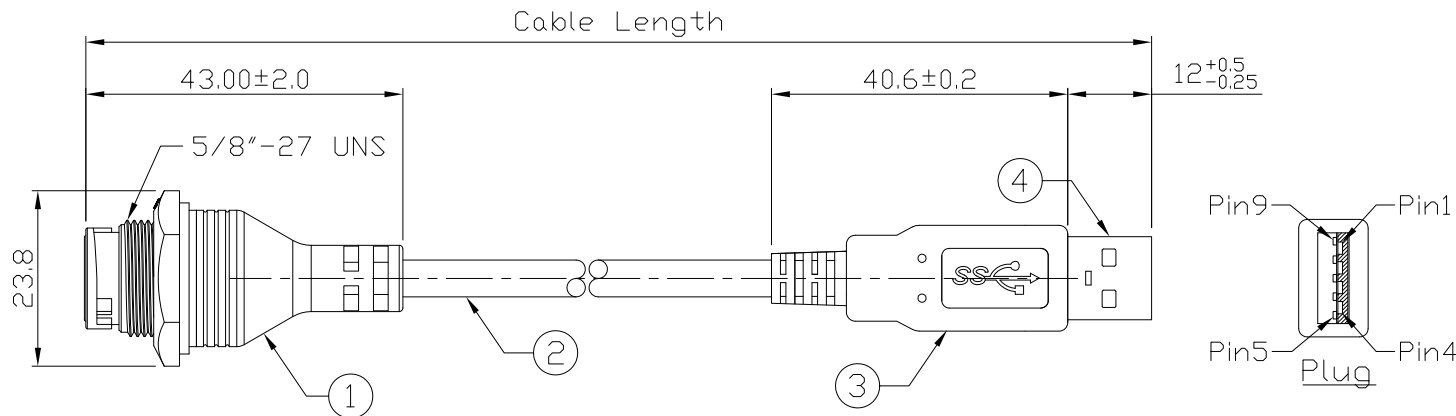
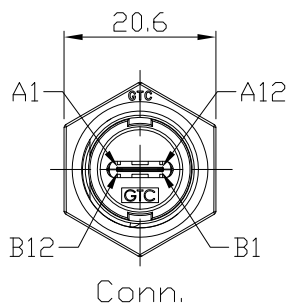
3

4

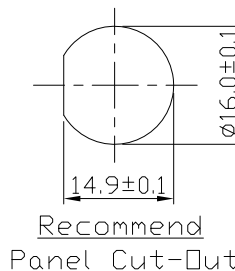
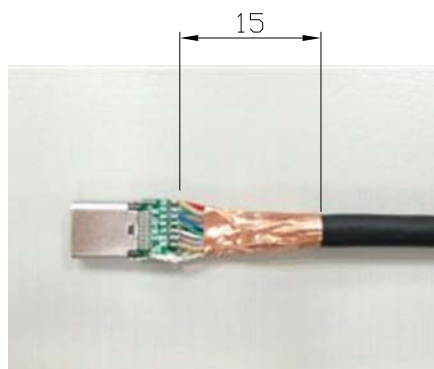
Notes: (Unless Otherwise Specified)

- 1. Waterproof Rate: IP67.
- 2. Recommend Panel Thickness: 0.8 to 3.0 mm.
- 3. Recommend Torque: 9~10 Kgf-cm.
- 4. Mating Cap P/N: GT1C1210X2.
- 5. Contact A And B Of Type C Must Be The Same As Drawing.
- 6. UL Certification file #E364108.
- 7. RoHS Compliant.

REV	ECN#	DESCRIPTION OF REVISION	DRAW BY DATE	CHECK BY DATE	APPROVE BY DATE
01			Aileen 02/09/21	Lucas 02/09/21	Ray 02/09/21



GTC  
DOC.CENTER.ISSUE  
FEB.09.2021  
ONLY FOR  
RELEASE



編織需跟雙面導電銅箔導通，並距PCB板4~5mm

GT11C210-04-03	3000 mm	+100
GT11C210-04-02	2000 mm	+100
GT11C210-04-01	1000 mm	+50
GT11C210-04-Z9	900 mm	+50
GT11C210-04-Z8	800 mm	+50
GT11C210-04-Z7	700 mm	+50
GT11C210-04-Z6	600 mm	+50
GT11C210-04-Z5	500 mm	+50
GT11C210-04-Z4	400 mm	+50
GT11C210-04-Z3	300 mm	+25
GT11C210-04-Z2	200 mm	+25
Part No.	Cable Length	Tol.

Item	Part Name	Material / Finish	Q'ty
4	USB-A 3.0 Plug	Housing: Thermoplastic, Color: Blue Contacts: Copper Alloy, Finish: Au Plated Shell: SPCC, Finish: Ni Plated	1
3	Over Mold	PVC Color: Black	1
2	Cable	UL2725 (1P/30#+EAM)*2+(1P/30#)+(2C/24#)+AEB(AL)65% OD:5.0mm BLACK PVC JACKET.	1
1	USB 3.1 Type C Plastic C2 Cable To Cable Jack Lock	GT Contact P/N: GT11C210-XX-XX	1

TITLE						DRAWING NUMBER			REV.
USB 3.1 Type C Plastic C2 Cable To Cable Jack Lock With USB-A 3.0 Plug						GT11C210-04-XX			01
	B	1:1	Aileen 02/09/21	Lucas 02/09/21	Ray 02/09/21	X.X ± 0.5 X.XX ± 0.2	X.XXX ± 0.05 ANGLES ± 1°	mm	1/2
THIRD ANGLE PROJECTION	SIZE	SCALE	DRAW / DATE	CHECK / DATE	APPROVE / DATE	TOLERANCES		UNIT	SHEET

GT Contact CO.,LTD

NOTICE OF PROPRIETARY PROPERTY:  
THE INFORMATION CONTAINED HEREIN IS THE PROPRIETARY PROPERTY OF GT CONTACT CO.,LTD THE POSSESSOR AGREES TO THE FOLLOWING:  
(a) TO MAINTAIN THIS DOCUMENT IN CONFIDENCE  
(b) NOT TO REPRODUCE OR COPY IT  
(c) NOT TO REVEAL OR PUBLISH IT IN WHOLE OR PART  
(d) ALL RIGHTS RESERVED

1

2

3

4

1

2

3

4

REV	ECN#	DESCRIPTION OF REVISION	DRAW BY DATE	CHECK BY DATE	APPROVE BY DATE
01			Aileen 02/09/21	Lucas 02/09/21	Ray 02/09/21

\*\*\*CONSTRUCTION:

1.CABLE:

\* UL2725 (1P/30#+EAM)\*2+(1P/30#)+(2C/24#)+AEB(AL)65% OD:5.0mm, BLACK PVC JACKET.

\*\*\*CONNECTOR:

2.USB C/F:

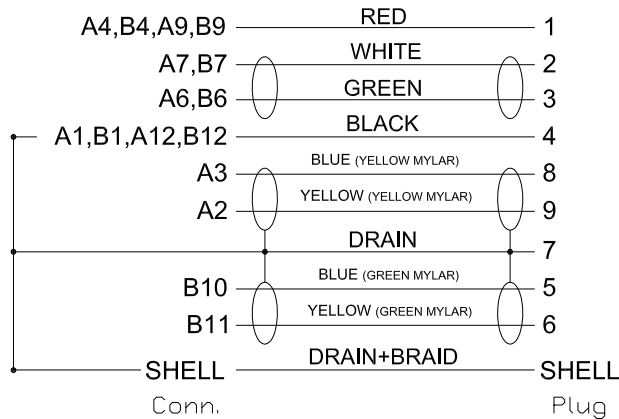
\* USB TYPE C FEMALE SOLDER TYPE,PCB WITHOUT IC,  
 \* PINS: 30u GOLD PLATED OVER NICKEL.  
 \* INSULATOR: BLACK COLOR LCP 94V-0 RATED.  
 \* SHELL: STEEL WITH GOLD FLASH.

3.USB A/M:

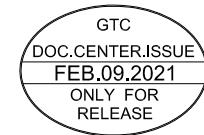
\* USB A "3.0" TYPE 9PIN MALE SOLDER TYPE.  
 \* PINS: 30u GOLD PLATED OVER NICKEL.  
 \* INSULATOR: BLUE COLOR P.B.T UL 94V-0 RATED.  
 \* SHELL: STEEL WITH NICKEL PALTED.  
 \* MOLDED: BLACK PVC 45P.

4.TEST:

\* CT: 2 ohm IS: 5M ohm



Wiring Diagram



GT Contact CO.,LTD

NOTICE OF PROPRIETARY PROPERTY:  
 THE INFORMATION CONTAINED HEREIN IS THE PROPRIETARY PROPERTY OF GT Contact CO.,LTD THE POSSESSOR AGREES TO THE FOLLOWING:  
 (1) TO MAINTAIN THIS DOCUMENT IN CONFIDENCE  
 (2) NOT TO REPRODUCE OR COPY IT  
 (3) NOT TO REVEAL OR PUBLISH IT IN WHOLE OR PART  
 (4) ALL RIGHTS RESERVED

TITLE USB 3.1 Type C Plastic C2 Cable To Cable Jack Lock With USB-A 3.0 Plug					DRAWING NUMBER GT11C210-04-XX			REV. 01	
THIRD ANGLE PROJECTION 	SIZE B	SCALE 1:1	DRAW / DATE Aileen 02/09/21	CHECK / DATE Lucas 02/09/21	APPROVE / DATE Ray 02/09/21	TOLERANCES X.X ± 0.5 X.XX ± 0.2		UNIT mm	SHEET 2/2

1

2

3

4