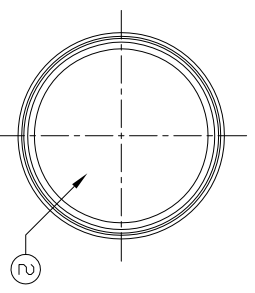
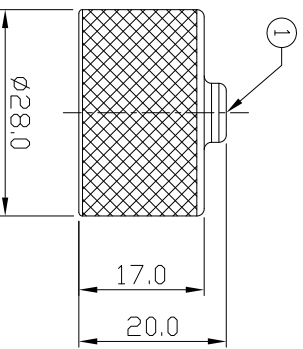
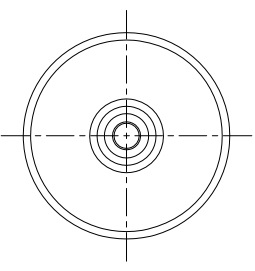


Notes: (Unless Otherwise Specified)
 1. Waterproof Rate: IP68.
 2. RoHS Compliant.

REV	ECN#	DESCRIPTION OF REVISION	DRAW BY DATE	CHECK BY DATE	APPROVE BY DATE
A0		Mass Production	Joyce 06/13/13	Lucas 06/13/13	Roy 06/13/13



GTC
 DOC.CENTER.ISSUE
 JUN.13.2013
 ONLY FOR
 RELEASE

Item	Part Name	Material / Finish	Qty
2	Rubber Pad	Silicone Color: Black	1
1	Metal Screw Cap	Copper Alloy Finish: Ni Plated	1

TITLE
 Cap Metal For USB-A C4 Screw Panel Without Chain

DRAWING NUMBER
 GT2C113002

REV.
 A0

THIRD ANGLE PROJECTION	SIZE	SCALE	DRAW / DATE	CHECK / DATE	APPROVE / DATE	TOLERANCES	UNIT	SHEET
	B	1:1	Joyce 06/13/13	Lucas 06/13/13	Roy 06/13/13	XX ± 0.5 XXX ± 0.2 XXXX ANGLES ± 1°	mm	1/1

GT Contact CD,LTID

NOTICE OF PROPRIETARY PROPERTY:
 THE INFORMATION CONTAINED HEREIN IS THE PROPRIETARY PROPERTY OF GT Contact CO,LTID THE POSSESSOR AGREES TO MAINTAIN THIS INFORMATION IN CONFIDENCE AND NOT TO REPRODUCE OR PUBLISH IT IN WHOLE OR PART (W) ALL RIGHTS RESERVED

