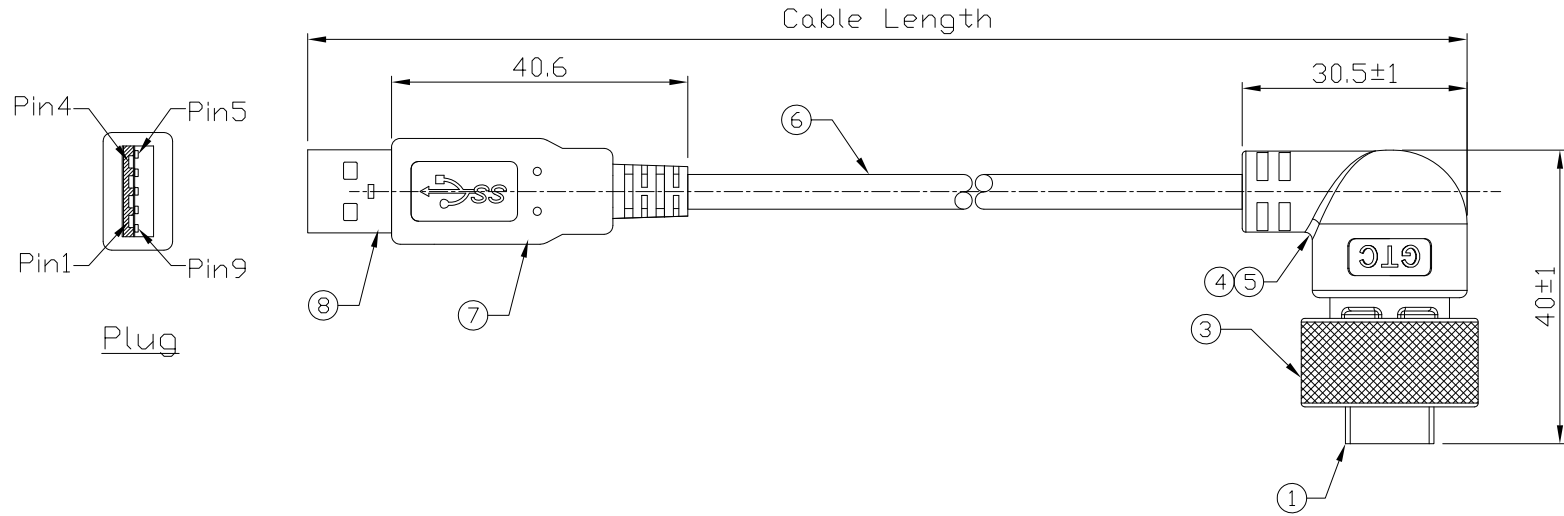


Notes: (Unless Otherwise Specified)

1. Waterproof Rate: IP68.
2. RoHS Compliant.

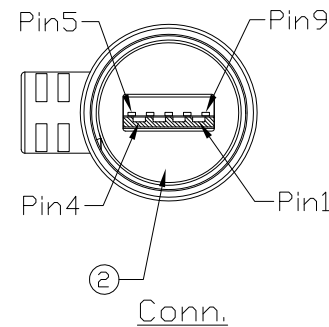
REV	ECN#	DESCRIPTION OF REVISION	DRAW BY DATE	CHECK BY DATE	APPROVE BY DATE
01			Lucas 11/28/19	Lucas 11/28/19	Ray 11/28/19



8	USB-A 3.0 Plug	Housing: Thermoplastic, Color: Blue Contacts: Copper Alloy, Finish: Au Plated Shell: Cold Roll Steel, Finish: Ni Plated	1
7	Over Mold	PVC Color: Black	1
6	Cable	UL2725 (1P*28AWGEAM)*2+(1PR*28AWG+A)+2C*22AWG+AB 85% Color: Black, OD=5.5mm	1
5	Over Mold	PVC Color: Black	1
4	Inner Mold	Thermoplastic Color: Black	1
3	Metal Screw Nut	Copper Alloy Finish: Ni Plated	1
2	Rubber Pad	Silicone Color: Black	1
1	USB-A 3.0 Plug	Housing: Thermoplastic, Color: Blue Contacts: Copper Alloy, Finish: Au Plated Shell: Cold Roll Steel, Finish: Au Plated	1
Item	Part Name	Material / Finish	Q'ty

1	Red	1
2	White	2
3	Green	3
4	Black	4
8	Blue	5
9	Yellow	6
7	Drain	7
5	Purple	8
6	Orange	9
Shell	Braid	Shell
Plug		Conn.

Wiring Diagram



GT218329-02-03	3000 mm	+100
GT218329-02-02	2000 mm	+100
GT218329-02-01	1000 mm	+50
GT218329-02-Z9	900 mm	+50
GT218329-02-Z8	800 mm	+50
GT218329-02-Z7	700 mm	+50
GT218329-02-Z6	600 mm	+50
GT218329-02-Z5	500 mm	+50
GT218329-02-Z4	400 mm	+50
GT218329-02-Z3	300 mm	+25
GT218329-02-Z2	200 mm	+25
Part No.	Cable Length	Tol.

TITLE						DRAWING NUMBER			REV.	
USB-A 3.0 Metal C3 Cable End 90° Plug Screw With USB-A 3.0 Plug						GT218329-02-XX			01	
THIRD ANGLE PROJECTION	SIZE	SCALE	DRAW / DATE	CHECK / DATE	APPROVE / DATE	TOLERANCES		UNIT	SHEET	
DD NOT SCALE DRAWINGS	B	1:1	Lucas 11/28/19	Lucas 11/28/19	Ray 11/28/19	X.X ± 0.5 X.XX ± 0.2	X.XXX ± 0.05 ANGLES ± 1°	mm	1/1	

GT Contact CO.,LTD

NOTICE OF PROPRIETARY PROPERTY:
THE INFORMATION CONTAINED HEREIN IS THE PROPRIETARY PROPERTY OF GT CONTACT CO.,LTD THE POSSESSOR AGREES TO THE FOLLOWING:
(i) TO MAINTAIN THIS DOCUMENT IN CONFIDENCE
(ii) NOT TO REPRODUCE OR COPY IT
(iii) NOT TO REVEAL OR PUBLISH IT IN WHOLE OR PART
(iv) ALL RIGHTS RESERVED